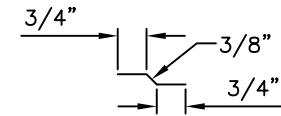
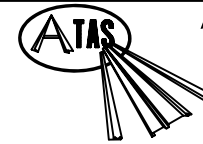


HCA8300 VALLEY PAN



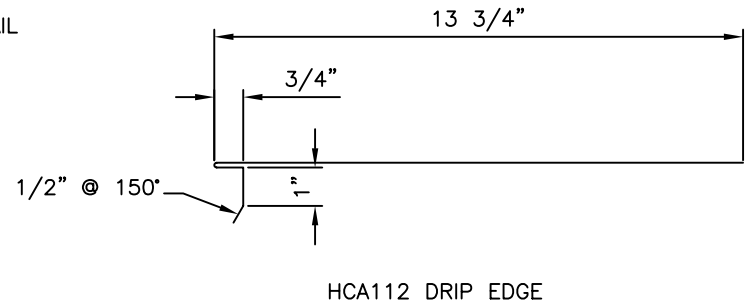
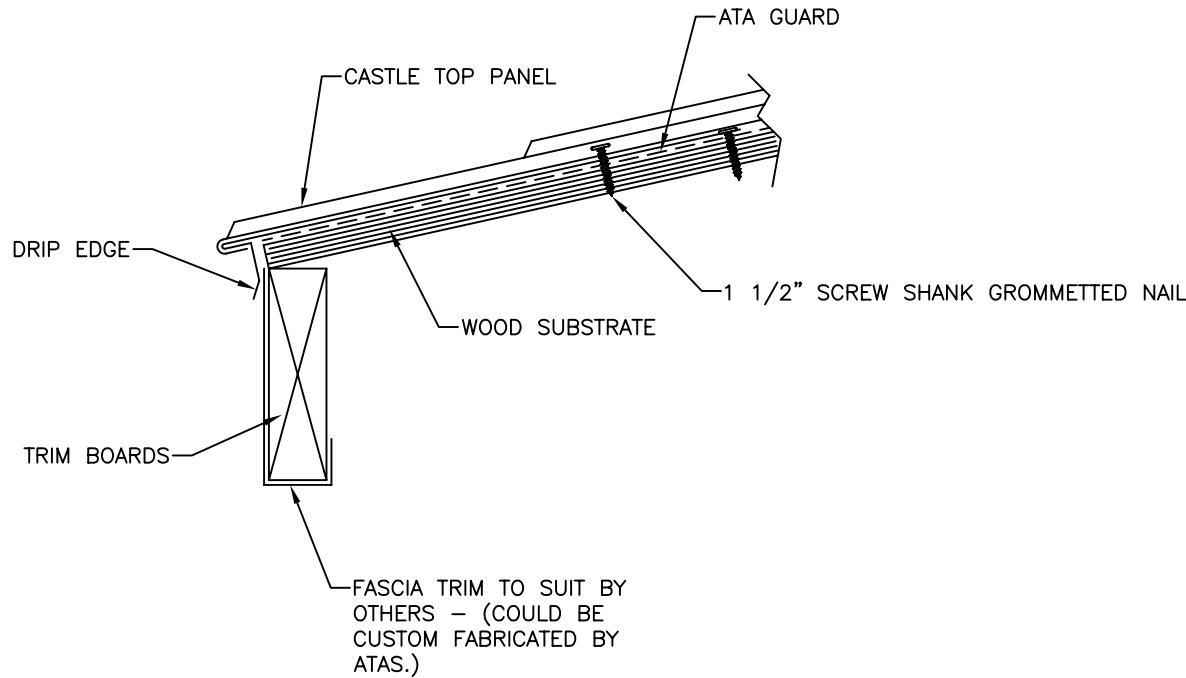
HCA975 JOGGLE CLEAT

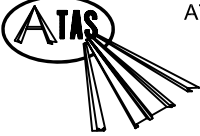


ATAS INTERNATIONAL, INC.  
Allentown PA  
610-395-8445  
Mesa AZ  
480-558-7210

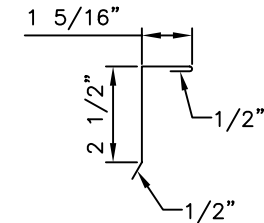
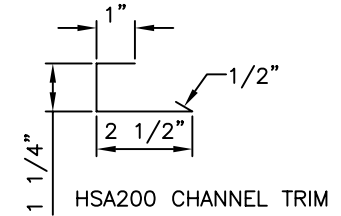
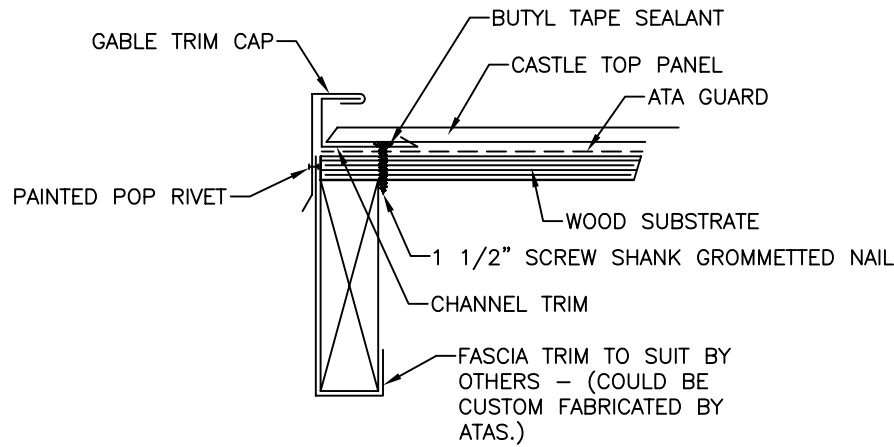
TITLE		HCT valley					
DWG NO. / FILE NO.		HCT valley				SCALE	1"=1"
DRAWN BY	DAS	DATE	3-6-06	APPR. BY	JEB	DATE	5-30-06
REVISION NO.	XXXX	REVISION DATE	MM/DD/YY	APPR. BY	XXXX	APPR. DATE	MM/DD/YY

Rev. No.	Revision Date	Drawn By	Description of Revision
0	5-30-06	DAS	HCT valley

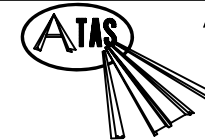


		ATAS INTERNATIONAL, INC. Allentown PA 610-395-8445 Mesa AZ 480-558-7210					
		TITLE HCT eave					
DWG NO. / FILE NO.		HCT eave				SCALE	1"=1"
DRAWN BY	DAS	DATE	3-6-06	APPR. BY	JEB	DATE	5-30-06
REVISION NO.	XXXX	REVISION DATE	MM/DD/YY	APPR. BY	XXXX	APPR. DATE	MM/DD/YY

Rev. No.	Revision Date	Drawn By	Description of Revision
0	5-30-06	DAS	HCT eave



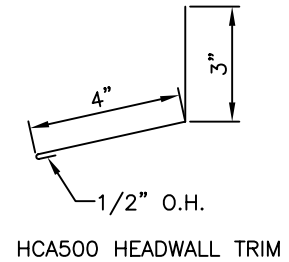
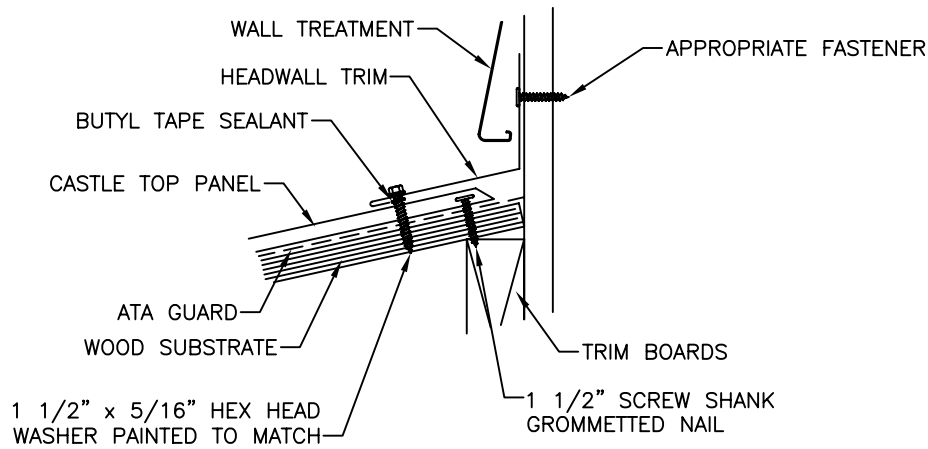
HSA201 GABLE TRIM CAP

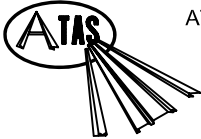


ATAS INTERNATIONAL, INC.  
Allentown PA  
610-395-8445  
Mesa AZ  
480-558-7210

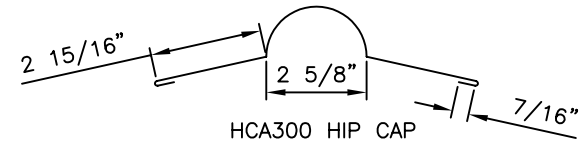
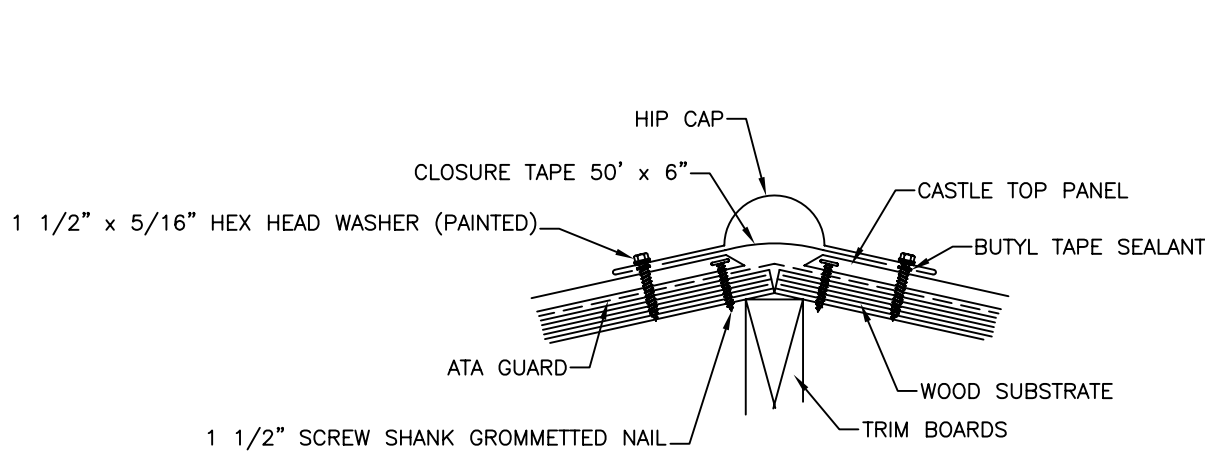
TITLE		HCT gable						
DWG NO. / FILE NO.		HCT gable				SCALE		1"=1"
DRAWN BY	DAS	DATE	3-6-06	APPR. BY	JEB	DATE	5-30-06	
REVISION NO.	XXXX	REVISION DATE	MM/DD/YY	APPR. BY	XXXX	APPR. DATE	MM/DD/YY	

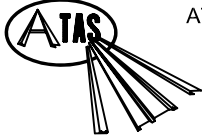
Rev. No.	Revision Date	Drawn By	Description of Revision
0	5-30-06	DAS	HCT gable



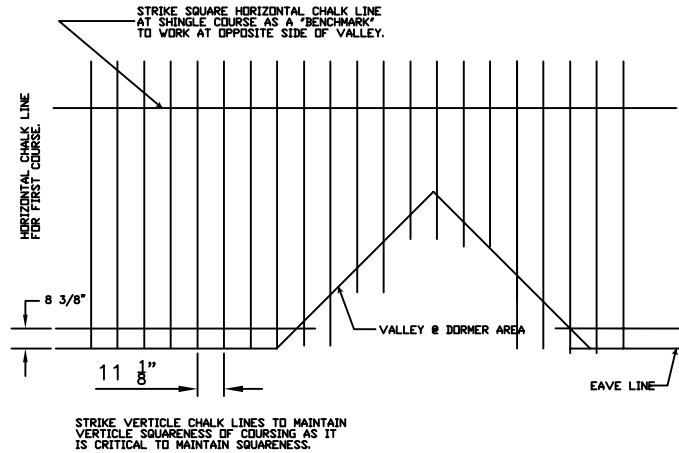
		ATAS INTERNATIONAL, INC. Allentown PA 610-395-8445 Mesa AZ 480-558-7210					
		TITLE HCT headwall					
DWG NO. / FILE NO.		HCT headwall				SCALE 1"=1"	
DRAWN BY	DAS	DATE	3-6-06	APPR. BY	JEB	DATE	5-30-06
REVISION NO.	XXXX	REVISION DATE	MM/DD/YY	APPR. BY	XXXX	APPR. DATE	MM/DD/YY

Rev. No.	Revision Date	Drawn By	Description of Revision
0	5-30-06	DAS	HCT headwall

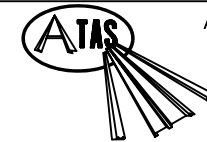


		ATAS INTERNATIONAL, INC. Allentown PA 610-395-8445 Mesa AZ 480-558-7210					
		TITLE HCT hip					
DWG NO. / FILE NO.		HCT hip				SCALE 1"=1"	
DRAWN BY DAS	DATE 3-6-06	APPR. BY JEB	DATE 5-30-06				
REVISION NO. XXXX	REVISION DATE MM/DD/YY	APPR. BY XXXX	DATE MM/DD/YY				

Rev. No.	Revision Date	Drawn By	Description of Revision
0	5-30-06	DAS	HCT hip



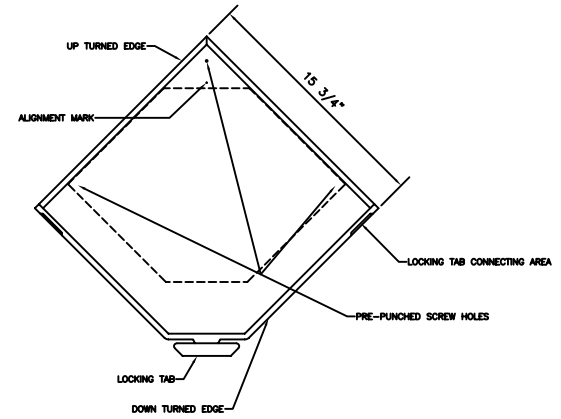
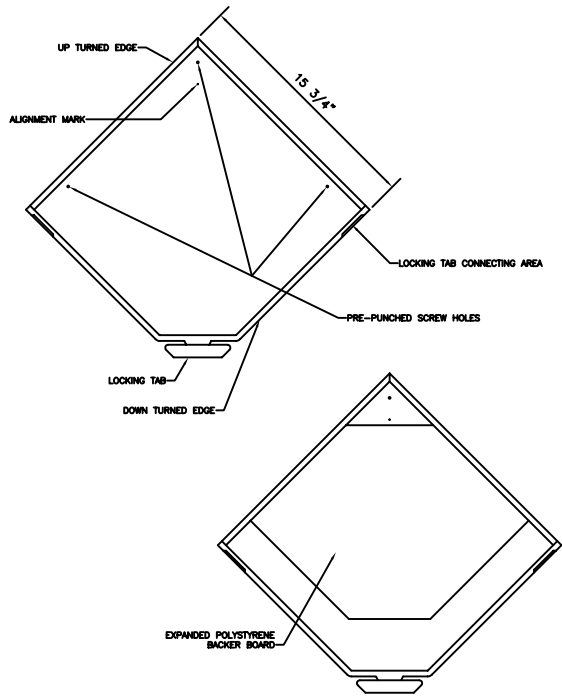
Castle Top Series  
Castle Top Panel Layout



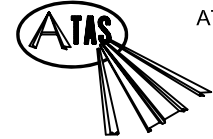
ATAS INTERNATIONAL, INC.  
Allentown PA  
610-395-8445  
Mesa AZ  
480-558-7210

TITLE										HCT installation	
DWG NO. / FILE NO.				HCT installation				SCALE	not to scale		
DRAWN BY	DAS	DATE	3-6-06	APPR. BY	JEB	DATE	5-30-06				
REVISION NO.	XXXX	REVISION DATE	MM/DD/YY	APPR. BY	XXXX	APPR. DATE	MM/DD/YY				
REVISION NO.	1	REVISION DATE	6-16-06	APPR. BY	DAS	APPR. DATE	6-16-06				

Rev. No.	Revision Date	Drawn By	Description of Revision
0	5-30-06	DAS	HCT installation
1	5-30-06	DAS	Changed line strike pattern to 11 1/8"



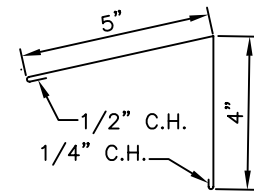
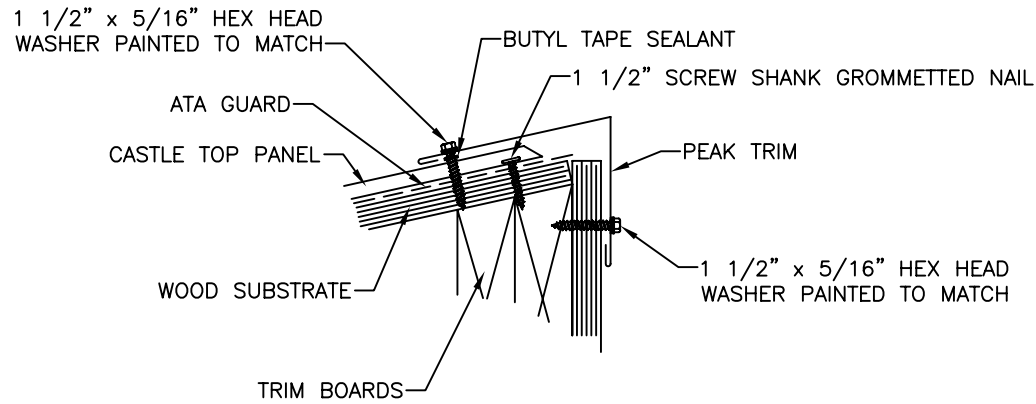
Castle Top Series  
Castle Top Panel



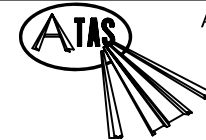
ATAS INTERNATIONAL, INC.  
Allentown PA  
610-395-8445  
Mesa AZ  
480-558-7210

TITLE								HCT profile							
DWG NO. / FILE NO.				HCT profile				SCALE				1"=1"			
DRAWN BY		DAS		DATE		3-6-06		APPR. BY		JEB		DATE		5-30-06	
REVISION NO.		XXXX		REVISION DATE		MM/DD/YY		APPR. BY		XXXX		APPR. DATE		MM/DD/YY	

Rev. No.	Revision Date	Drawn By	Description of Revision
0	5-30-06	DAS	HCT profile



HCA340 PEAK TRIM

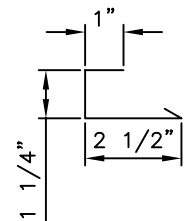
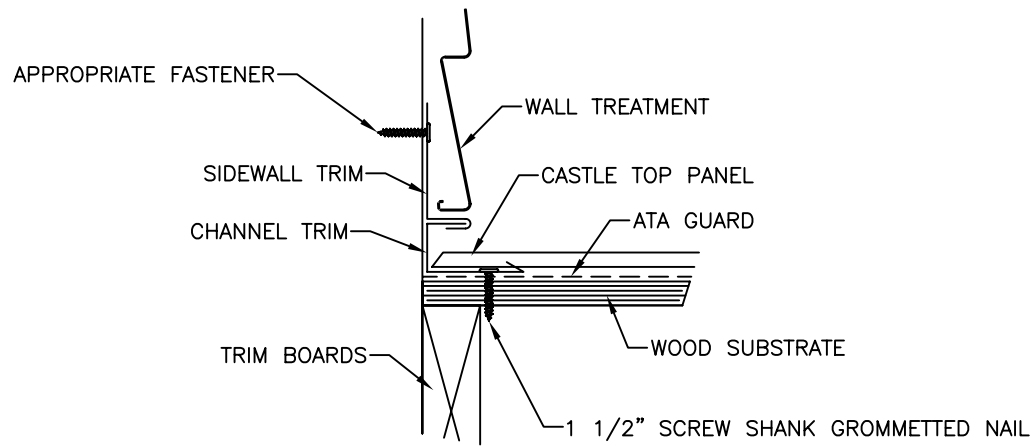


ATAS INTERNATIONAL, INC.  
Allentown PA  
610-395-8445  
Mesa AZ  
480-558-7210

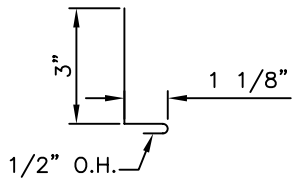
TITLE		HCT shed ridge					
DWG NO. / FILE NO.		HCT shed ridge				SCALE	1"=1"
DRAWN BY	DAS	DATE	3-6-06	APPR. BY	JEB	DATE	5-30-06
REVISION NO.	XXXX	REVISION DATE	MM/DD/YY	APPR. BY	XXXX	APPR. DATE	MM/DD/YY

Rev. No.	Revision Date	Drawn By	Description of Revision
0	5-30-06	DAS	HCT shed ridge

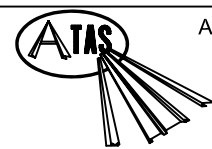




HSA200 CHANNEL TRIM



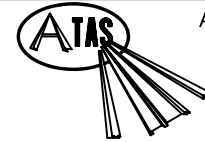
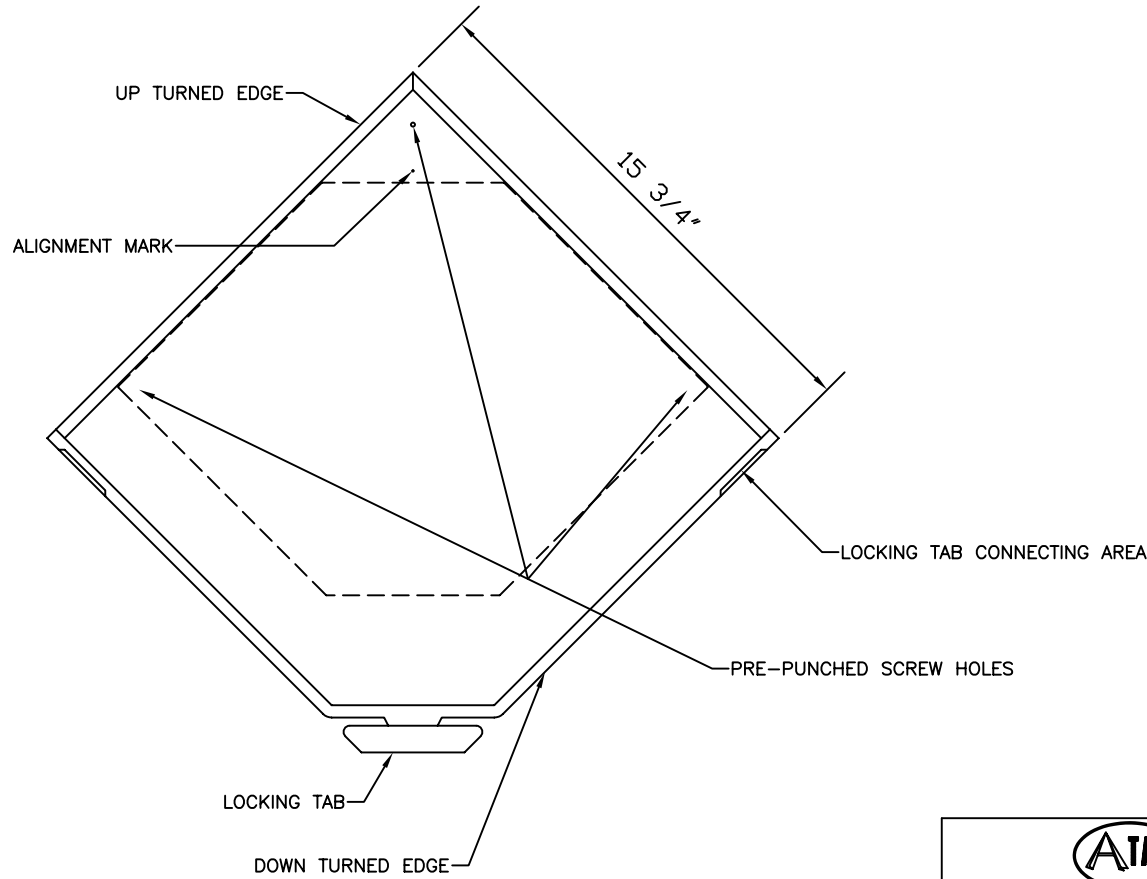
HCA410 SIDEWALL TRIM



ATAS INTERNATIONAL, INC.  
 Allentown PA  
 610-395-8445  
 Mesa AZ  
 480-558-7210

TITLE		HCT sidewall					
DWG NO. / FILE NO.		HCT sidewall				SCALE	1"=1"
DRAWN BY	DAS	DATE	3-6-06	APPR. BY	JEB	DATE	5-30-06
REVISION NO.	XXXX	REVISION DATE	MM/DD/YY	APPR. BY	XXXX	APPR. DATE	MM/DD/YY

Rev. No.	Revision Date	Drawn By	Description of Revision
0	5-30-06	DAS	HCT sidewall



ATAS INTERNATIONAL, INC.  
Allentown PA  
610-395-8445  
Mesa AZ  
480-558-7210

TITLE		Castle Top Profile					
DWG NO. / FILE NO.		Castle Top Profile				SCALE	3"=1'-0"
DRAWN BY	DAS	DATE	7-25-07	APPR. BY	JEB	DATE	7-25-07
REVISION NO.	XXXX	REVISION DATE	MM/DD/YY	APPR. BY	XXXX	APPR. DATE	MM/DD/YY

Rev. No.	Revision Date	Drawn By	Description of Revision
0	7-25-07	DAS	Castle Top Profile