

D



**JAY R. SMITH MFG. CO.**  
 DIVISION OF SMITH INDUSTRIES, INC.  
 POST OFFICE BOX 3237  
 MONTGOMERY, ALABAMA 36109-0237 (USA)  
 TEL: 334-277-8520 FAX: 334-272-7396 www.jrsmith.com



MEMBER OF:

LOCATION

DRAWING NUMBER  
S1001

SIZE  
A

SCALE:  
NONE

DATE:  
2-24-94

APPROVED BY:  
CS

CHECKED BY:  
JCS

DRAWN BY:  
TWK

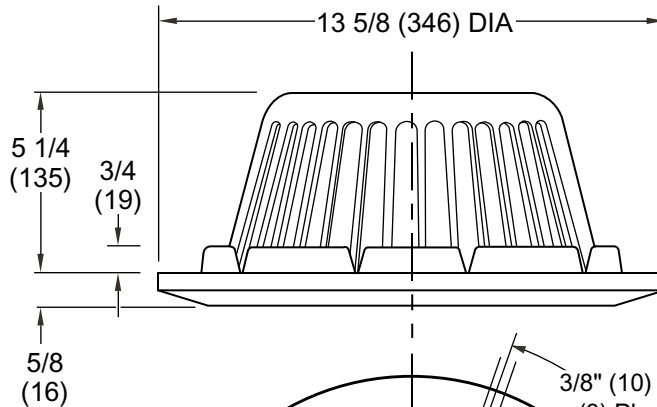
1001

WE CAN ASSUME NO RESPONSIBILITY FOR USE OF SUPERSEDED OR VOID DATA  
DIMENSIONS ARE SUBJECT TO MANUFACTURERS TOLERANCE AND CHANGE WITHOUT NOTICE

# UNIVERSAL ROOF DRAIN MEMBRANE CLAMPING COLLAR AND DOME

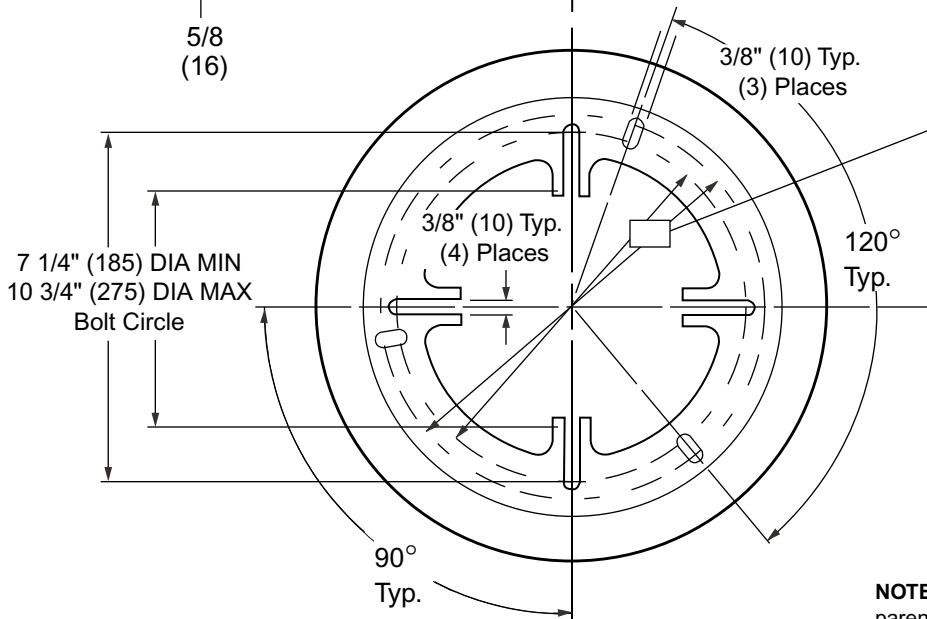
**FUNCTION:** Universal cast iron membrane clamping collar and dome are designed for retrofit roof applications where the existing main roof drain body is to remain in place and continue to be operative. The bolting lugs of this collar match the bolt pattern of the majority of the common roof drain bodies and generally conform to the surface angles of the flange. This allows easy replacement along with adequate pressure on the membrane to insure water tightness. The collar is designed to accompany most 15" (380) and 16" (405) diameter roof drain bodies with bolt circles ranging 7 1/4" (185) to 10 3/4" (275) in diameter. It is recommended to extend roof membrane into the sump of existing roof drain body.

Free Area  
 102.5 SQ IN  
 (661) SQ CM



**REGULARLY FURNISHED MOUNTING HARDWARE**

- (4) 3/8" (10) - 16 x 1 3/4" (44) Hex Head Bolts
- (4) 5/16" (8) - 18 x 1 1/4" (32) Hex Head Bolts



10 3/4 (275) DIA MIN  
 11 1/4 (285) DIA MAX  
 Bolt Circle

**NOTE:** Dimensions shown in parentheses are in millimeters.

**BOTTOM VIEW**

**REGULARLY FURNISHED:**

Polyethylene "Twist Lock" Dome and Duco Coated Universal Cast Iron Membrane Clamping Collar with Mounting Hardware.

**VARIATIONS:**

- Less Dome -LD (Specify Fig. 1002)
- Perf. S.S. Gravel Guard (Specify Height)
- Solid Water Dam Collar -WD (Specify Height)
- Vandal Proof -U

**OPTIONAL MATERIALS:**

- Aluminum Dome -AD
- Cast Iron Dome -CID
- 8" (205) High Cast Iron Dome -CID8
- Galvanized Collar -CG
- Galvanized Cast Iron Dome -CIDG
- Rough Bronze Dome -RBD
- S.S. Mesh Covered Dome -SSM (Specify Dome)

FIGURE NUMBER	D 5-26-99 C 6-12-95 B 7-19-94 A 5-4-94	Revised Opt. Materials Added Millimeters Submittal Update Rev Opt Mat	CMD EMB EMB EMB	BS BS BS JCS	WEIGHT POUNDS	VOLUME CUBIC FEET	FIGURE NUMBER <b>1001</b>
REV.	DATE	DESCRIPTION	BY	CKD. BY			