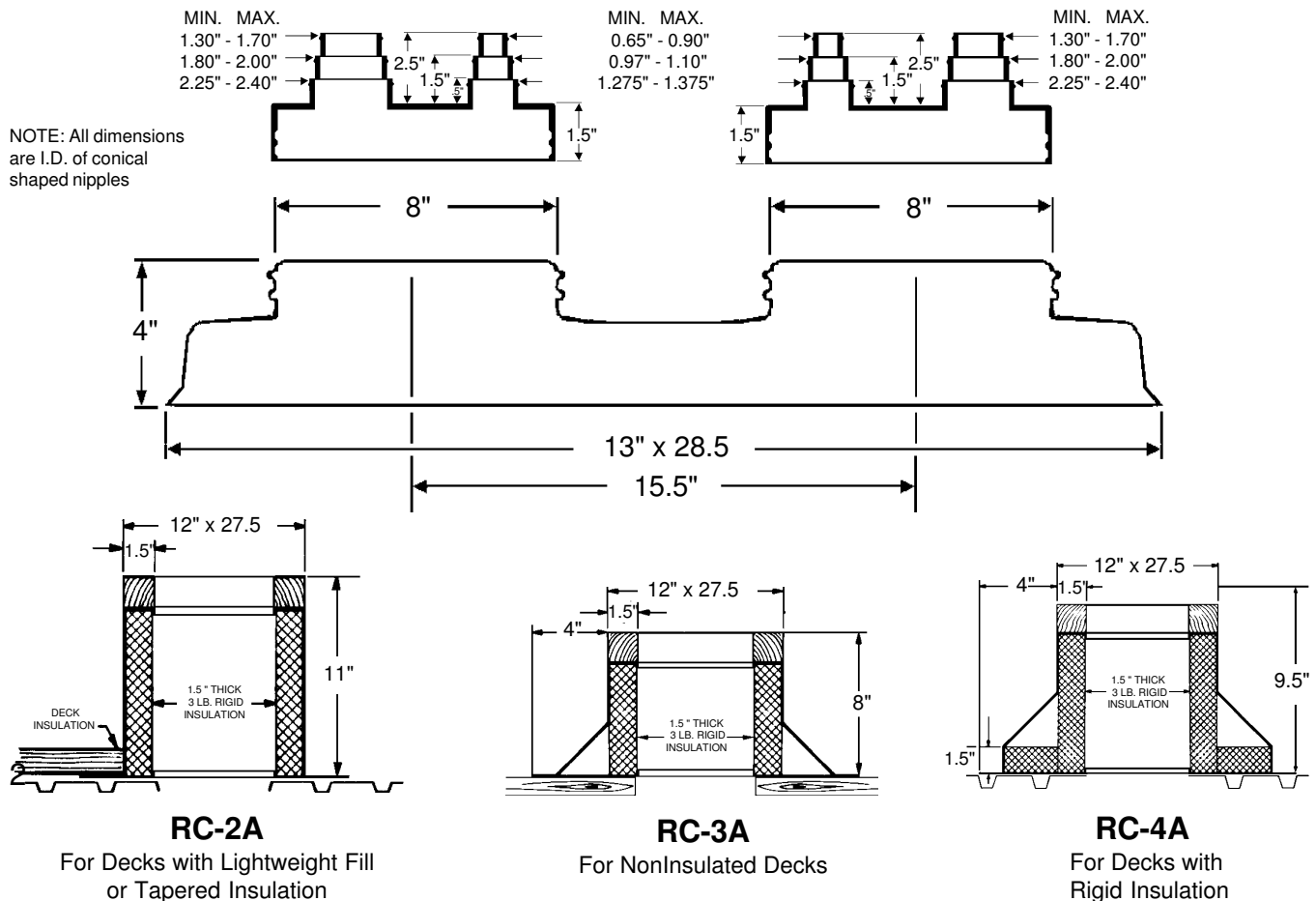
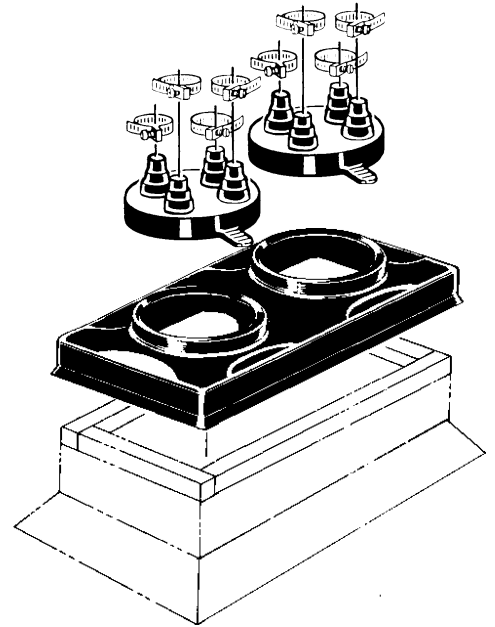




Double Pipe Portal with two C-212 Caps

SPECIFICATION

Furnish and install the Portals Plus Double Pipe Portal as manufactured by Portals Plus, Inc., Bensenville, IL, at all points where up to four pipes .375" - 1" in diameter and up to four pipes 1" - 2" in diameter penetrate the roof. The Pipe Portal shall include an 18 gauge galvanized roof curb model RC-___A with integral base plate, continuously welded corner seams, factory-installed wood nailer, and 1.5" 3lb. rigid fiberglass insulation. The Pipe Portal shall be furnished with a laminated, acrylic coated, ABS plastic curb cover with prepunched holes and molded sealing rings on two 8" collared openings. Two EPDM (Ethylene Propylene Diene Monomer) compression molded caps model C-212 shall be utilized. All Caps shall include Portals Plus' stainless steel Snaplock Clamps. Attachment and installation of the Pipe Portal shall be done in accordance with Portals Plus' instructions and the roofing membrane manufacturer's recommendations.



Distributed by: **BEST MATERIALS ® LLC**

Ph: 800-474-7570, 602-272-8128 Fax: 602-272-8014

www.BestMaterials.com Email: Sales@BestMaterials.com