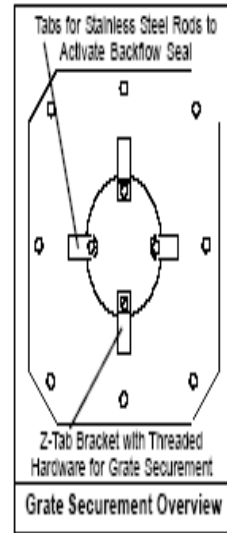
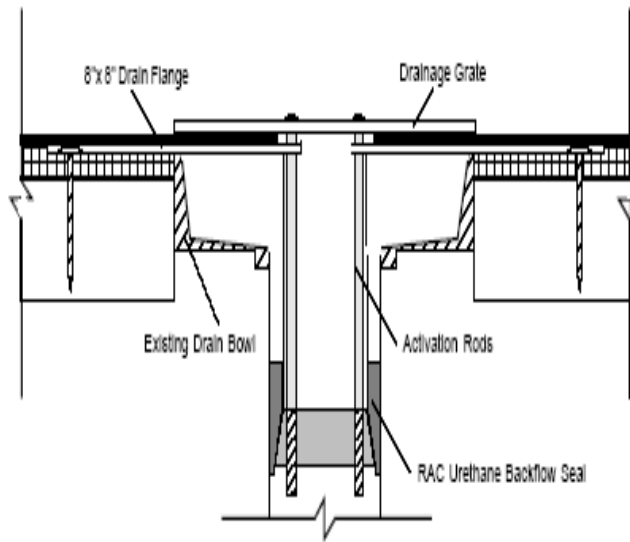


DISTRIBUTED BY

Best MATERIALS.com



BALCONY MODEL RETROFIT DRAIN INSTALLATION INSTRUCTIONS

Inspection

- A. Measure I.D. of existing drain pipe to determine proper size RAC BALCONY MODEL RETROFIT DRAIN to be installed.

Preparation

- A. The existing drain pipe shall be cleaned of excess bitumen build-up, dirt and debris.
- B. Remove clamping ring assembly and bolts from the existing drain and discard.
- C. Additional cleaning or detailing must be complied with if required by the primary roofing system manufacturer.

Installation (Single Ply / BUR / Modified Bitumen)

- A. **IMPORTANT-** The aluminum activation cone may have settled into the backflow seal during shipping which may partially activate the seal. To deactivate the seal simply push down on the top of the two backflow bolts. **NOTE:** The top of the tapered metal cone should remain inside the bottom of the urethane seal (do not fully disengage cone from urethane seal).
- B. Lower the RAC Retrofit Drain Assembly into the existing drain leader pipe until the underside of the drain flange is in contact with the surface of the surrounding roof.
- C. Using the pre-punched holes in the perimeter of the flange, secure the drain flange to the substrate with appropriate fasteners.
- D. Using a slot head screwdriver activate the backflow seal by hand tightening the two bolts on backflow stainless steel backflow rods. Alternate tightening between the bolts for an even draw and expansion of the seal (*do not overdrive*).
- E. Install roofing materials into place per primary roofing manufacturers drain flashing details.
- F. Install the 6" diameter drainage grate by placing grate over the drain and aligning two holes with threaded nuts on "Z" tabs. Install two screws provided with slot head screwdriver.
- G. For additional Technical Assistance please call OMG at PH: (800) - 633 - 3800.

OLYMPIC
Olyflow
RAC & UFLOW RETROFIT DRAINS