



PRODUCT DESCRIPTION

Fry Reglet offers five flashing systems, each tailored for a particular type of substrate so you can get exactly what you need.

- SM – Surface mounted applications
- MA & MA-4 – Masonry reglet for 1-1/2" and 4" top flanges
- ST – Stucco over baseboard installations
- STX – Stucco over block conditions
- CO – Concrete for poured-in-place construction

MATERIALS & FINISHES

- Galvanized steel (26 and 24 ga.) with a standard zinc finish
- Galvanized steel (24 ga.) with factory applied Kynar 500/Hylar 500 finish
- Copper (16 oz.) with a standard uncoated finish
- Aluminum (0.025") with a gray polyester coating
- Stainless steel, Type 304 (0.020") with a standard uncoated finish

FEATURES & BENEFITS

Fry Reglet's comprehensive selection of functional moisture prevention products offer the ultimate in protection from the elements.

- Flashing snaps in under the reglet so water can't get under the flashing.
- A 1" end lap on the reglet and a 3" end lap on the flashing eliminate leaky butt joints to ensure a watertight seal.
- End laps on reglet and flashing allow for proper alignment during installation for a waterproof seal.
- Flashing has a positive air break to prevent water from climbing under the flashing.
- Springlok flashing systems have been tested and proven to resist high wind velocities up to 110 mph.

EASY TO INSTALL & USE

- Lightweight material is manufactured in 10' lengths for easy handling and installation on the job site.
- Precision, factory produced parts ensure a perfect fit on the job.
- Order factory fabricated reglet and flashing corners and eliminate time-consuming site fabrication.
- Springlok flashing snaps into reglets without screws or clips, which means you can detach and reuse it when you need to reroof.

LESS EXPENSIVE THAN DIY

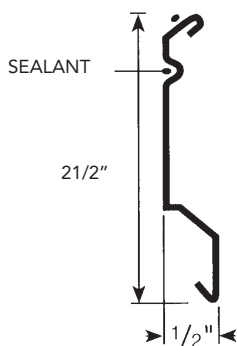
- Buying in bulk allows us greater economies on materials including galvanized steel, copper, aluminum and stainless steel, and we pass the savings on to you.
- We help you eliminate inventory storage and maintenance costs by delivering what you need, when and where you need it.
- Instead of using your workers to fabricate flashing, let Fry Reglet do it. You save time, labor and associated compensation costs.
- In nearly 50 years, our Springlok flashing and reglet have never failed! Can you say the same about your flashing projects?

See separate sheets for product details, installation instructions and complete wind load test data.

"SM" SURFACE MOUNTED REGLET



PRODUCT DETAIL



USAGE
 SM reglet is designed for installation on any type of parapet wall, including tilt-up panels, precast panels, masonry and other smooth surfaces. Reglets are surface mounted with drive pins which are sealed with special washers (7/8" diameter stainless steel with neoprene facing).

Factory punched slots 16" o.c. allow for expansions and eliminate buckling away from the building.

System requires polyurethane, polysulfide or silicone sealant at time of installation in two places, at top and in recess, to seal against water penetration.

MATERIALS & FINISHES

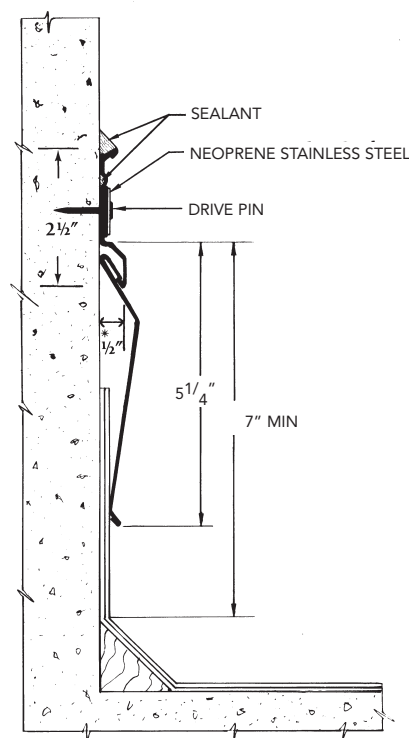
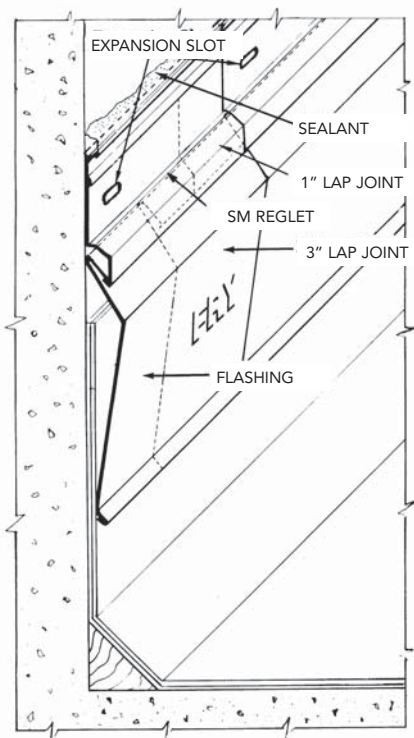
MATERIAL & THICKNESS

- Galvanized steel – 24 ga.
- Copper – 16 oz.
- Aluminum – 0.025"
- Stainless steel, Type 304 – 0.020"

FINISH & COLOR

- Galvanized steel – Standard zinc finish
- Galvanized steel – Factory applied Kynar 500/Hylar 500 finish
- Copper – Standard uncoated finish
- Aluminum – Gray polyester coating
- Stainless steel, Type 304 – Standard uncoated finish

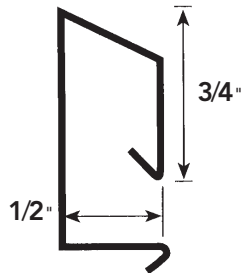
INSTALLATION DETAIL



*Actual dimension between wall and the inside flange of reglet is 3/8".
 See separate sheet for product installation instructions. Drawings are not to scale.



PRODUCT DETAIL



USAGE

For use with poured-in-place concrete construction, this reglet is covered with a protective foam backer rod to prevent grout and concrete from getting into the reglet opening.

Connector clips are supplied to provide positive alignment at joints and prevent concrete leakage during pouring. Special staples are supplied to aid installation.

This system is not recommended for tilt-up construction; use SM surface mounted reglet instead.

MATERIALS & FINISHES

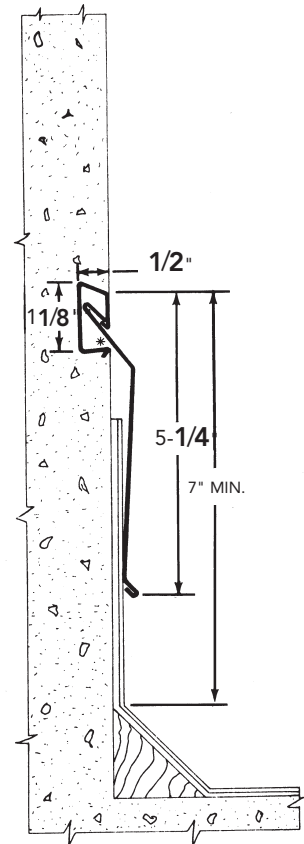
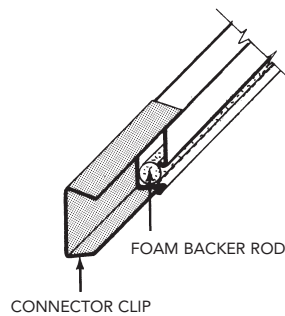
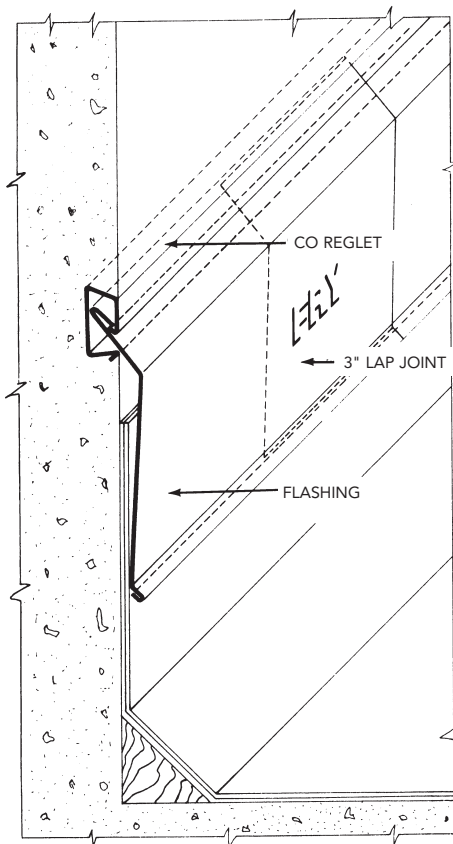
MATERIAL & THICKNESS

- Galvanized steel – 26 ga.
- Copper – 16 oz.
- Aluminum – 0.025"
- Stainless steel, Type 304 – 0.020"

FINISH & COLOR

- Galvanized steel – Standard zinc finish
- Copper – Standard uncoated finish
- Aluminum – Gray polyester coating
- Stainless steel, Type 304 – Standard uncoated finish

INSTALLATION DETAIL

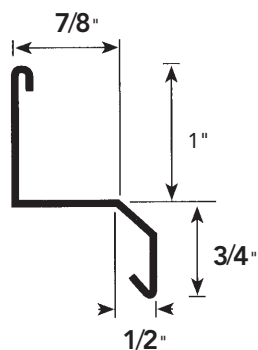


*Actual dimension between wall and the inside flange of reglet is 3/8". See separate sheet for product installation instructions. Drawings are not to scale.

ROOF FLASHING



PRODUCT DETAIL



USAGE

Made especially for stucco applications, the reglet is put in place over $3/4$ " baseboard prior to lathing, and the Springlok flashing is locked into place after the roofing paper is applied. Then stucco is applied over the top.

This system requires a backing (nailer) with sufficient depth to support the reglet and provide tension to create the proper fit.

MATERIALS & FINISHES

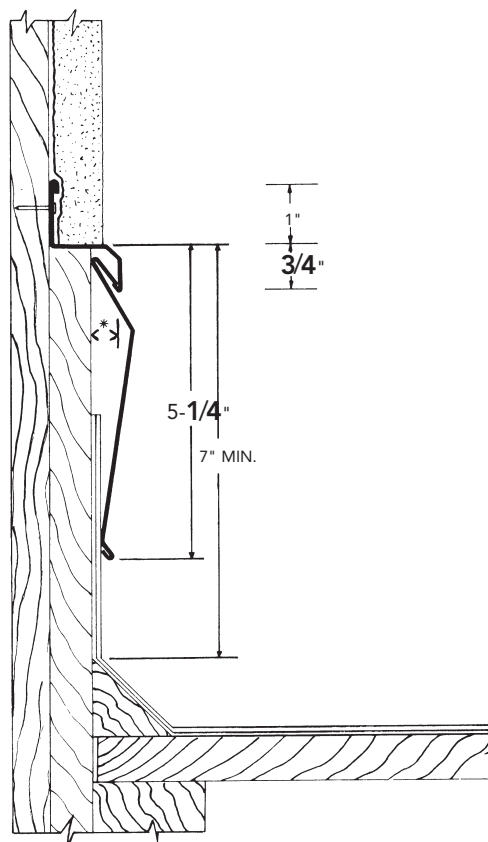
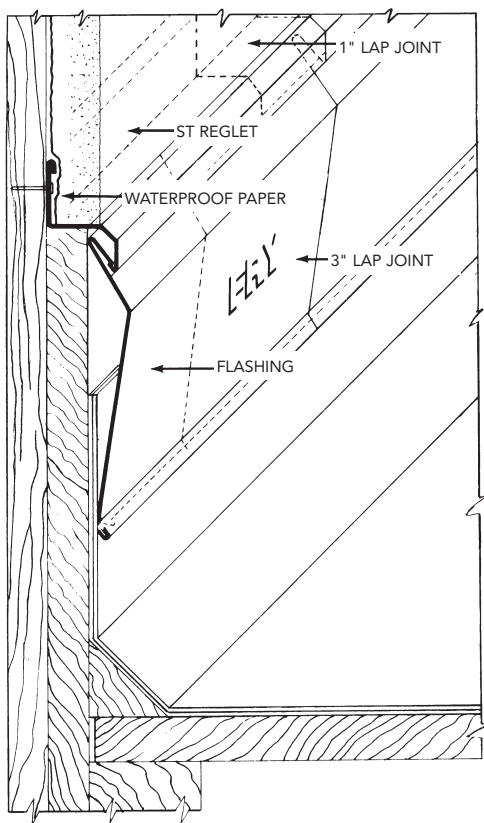
MATERIAL & THICKNESS

- Galvanized steel – 24 ga.
- Copper – 16 oz.
- Aluminum – 0.025"
- Stainless steel, Type 304 – 0.020"

FINISH & COLOR

- Galvanized steel – Standard zinc finish
- Galvanized steel – Factory applied Kynar 500/Hylar 500 finish
- Copper – Standard uncoated finish
- Aluminum – Gray polyester coating
- Stainless steel, Type 304 – Standard uncoated finish

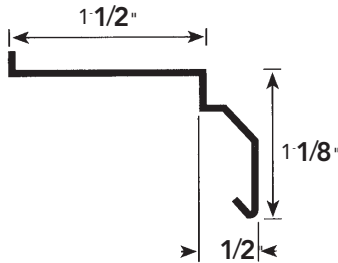
INSTALLATION DETAIL



*Actual dimension between wall and the inside flange of reglet is $7/8$ ".
 See separate sheet for product installation instructions. Drawings are not to scale.



PRODUCT DETAIL



USAGE

Specially manufactured for masonry applications, this reglet is laid into masonry joints and held in place as the mortar cures. As a result, there is no opening for water penetration.

Type MA reglet has a 1-1/2" top flange for brick; Type MA-4 has a 4" top flange for concrete block.

MATERIALS & FINISHES

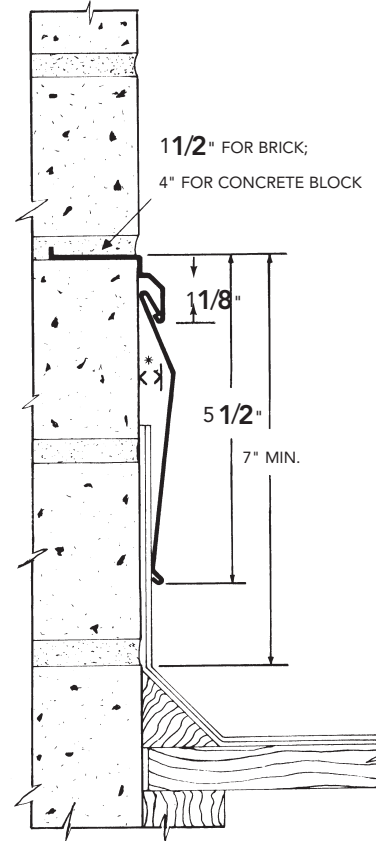
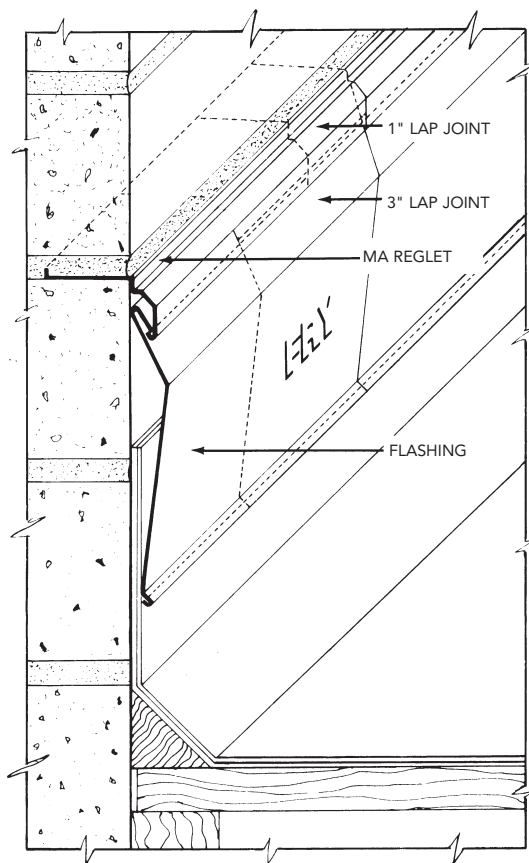
MATERIAL & THICKNESS

- Galvanized steel – 24 ga.
- Copper – 16 oz.
- Aluminum – 0.025"
- Stainless steel, Type 304 – 0.020"

FINISH & COLOR

- Galvanized steel – Standard zinc finish
- Galvanized steel – Factory applied Kynar 500/Hylar 500 finish
- Copper – Standard uncoated finish
- Aluminum – Gray polyester coating
- Stainless steel, Type 304 – Standard uncoated finish

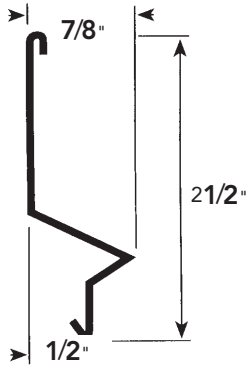
INSTALLATION DETAIL



*Actual dimension between wall and the inside flange of reglet is 7/8". See separate sheet for product installation instructions. Drawings are not to scale.



PRODUCT DETAIL



Usage
 STX reglet is specifically engineered for stucco over block conditions, and designed to accept Springlok flashing and other flexible flashing. A "V" projection allows stucco to be applied directly over the reglet. The efficient design of the STX reglet eliminates the need for a backing (nailer).

MATERIALS & FINISHES

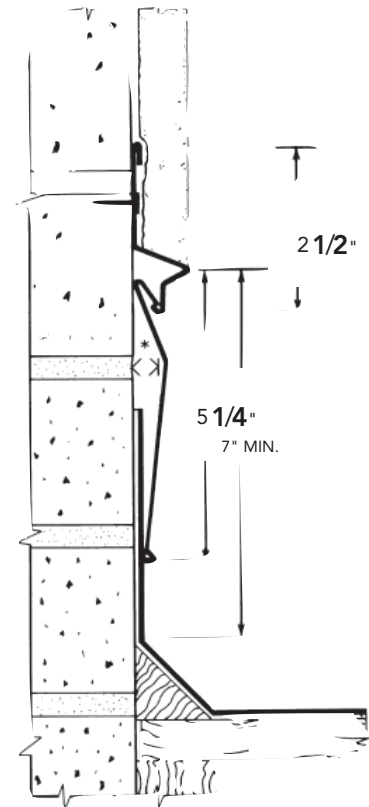
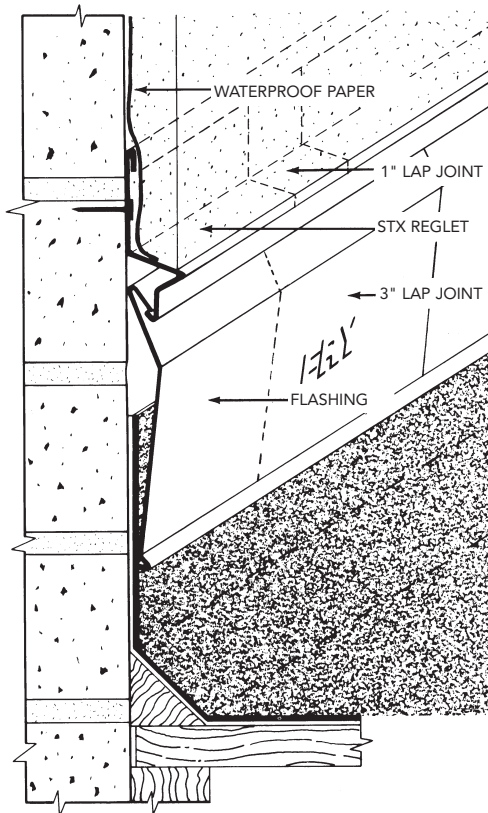
MATERIAL & THICKNESS

- Galvanized steel – 24 ga.
- Copper – 16 oz.
- Aluminum – 0.025"
- Stainless steel, Type 304 – 0.020"

FINISH & COLOR

- Galvanized steel – Standard zinc finish
- Galvanized steel – Factory applied Kynar 500/Hylar 500 finish
- Aluminum – Gray polyester coating
- Stainless steel, Type 304 – Standard uncoated finish

INSTALLATION DETAIL

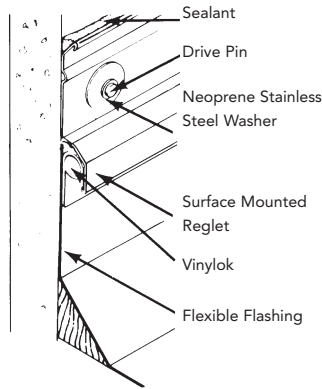


*Actual dimension between wall and the inside flange of reglet is 3/8".
 See separate sheet for product installation instructions. Drawings are not to scale.

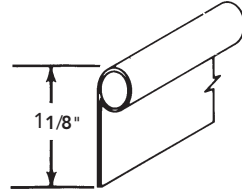


VINYLOK FLASHING RETAINER

SURFACE MOUNTED REGLET



VINYLOK



APPLICATION

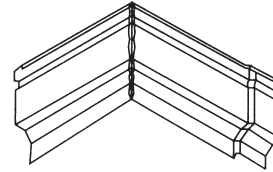
- Polyvinyl chloride Vinyllok flashing retainer fills many "too small" spaces between parapet and cant strip where standard flashings do not fit.
- For use with ST stucco, STX stucco, MA masonry and SM surface mounted reglet. Not for CO concrete.

INSTALLATION

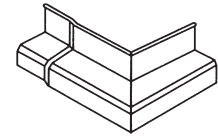
- Flexible flashing is installed to contact reglet (as shown in SM drawing above). Vinyllok retainer is pressed into area with "tail" flat against flashing.

See separate sheets for product details, installation instructions and complete wind load test data. Drawings are not to scale.

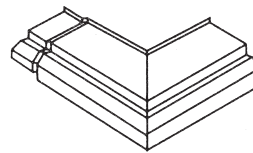
PREFABRICATED REGLET CORNERS



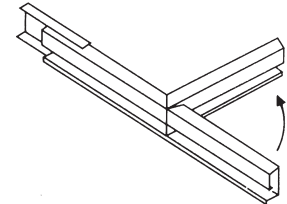
SURFACE MOUNTED REGLET TYPICAL INSIDE CORNER



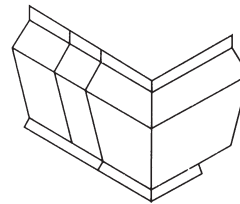
STUCCO REGLET TYPICAL OUTSIDE CORNER



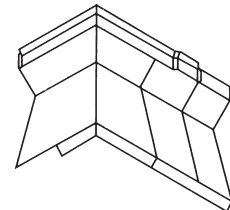
MASONRY REGLET TYPICAL OUTSIDE CORNER



CONCRETE REGLET TYPICAL OUTSIDE CORNER



TYPICAL FLASHING OUTSIDE CORNER



TYPICAL FLASHING INSIDE CORNER

APPLICATION

- Factory manufactured mitered and sealed corners help reduce installation time.
- Corners are available for reglet products shown as well as STX stucco.

INSTALLATION

- See separate sheets with individual reglet installation instructions.

CONCRETE REGLET ACCESSORIES

CONNECTOR CLIPS

- Clips provide positive alignment at joints and prevent concrete leakage during pouring.

INSTALLATION STAPLES

- Staples secure reglet to forms prior to pouring concrete.

© 2004 Fry Reglet Corporation



THE PROBLEM

Blow-offs occur when winds lift the flashing and get under the roofing material, tearing it off and exposing the building interior to rain and wind damage. To protect your roofs from blow-off, specify flashing systems certified by the manufacturer to resist 110 mph wind loads.

THE SOLUTION

Fry Reglet Springlok flashing systems have been independently tested and certified to seal tightly against winds up to 110 mph ($\pm 5\%$) for a duration of at least two hours without any movement of the reglet or flashing.

- The Springlok system is the only flashing product in the industry to pass the two-hour 110 mph test.
- In nearly 50 years, Springlok flashing and reglet systems have never failed.

TEST PARAMETERS

- Tested materials included galvanized steel, aluminum and stainless steel surface mounted reglet and flashing.
- All three metals were tested both with and without wind-lock clips (six tests total).
- Test deck was a 50" x 66" plywood deck with 2" x 4" framing, constructed with a 16" parapet wall and a 4" cant strip and covered with EPDM membrane.
- Reglet and flashing were installed per manufacturer's installation instruction.

METHODOLOGY

- Test method ASTM D 3161, "Wind Resistance (Fan-Induced Method)."
- Conducted by the Center for Applied Engineering Materials Testing Service at the Celotex Corporation Technical Center, St. Petersburg, FL.

EQUIPMENT

- Wind generator capable of delivering a horizontal stream of air through a rectangular opening 22" wide and 7" wide at a velocity of 110 mph $\pm 5\%$ as measured at the orifice.
- Dwyer No. 16 U tube manometer (cat. no. 1223-16) and Dwyer Pilot Tube (cat. no. 160-18).
- Video camera with time and date stamp.

TEST RESULTS

- Exposed to 110 mph ($\pm 5\%$) winds for a duration of two hours:
- No lift or movement of galvanized steel, aluminum and stainless steel reglet and flashing with wind clips.
- No lift or movement of galvanized steel, aluminum and stainless steel reglet and flashing without wind clips.