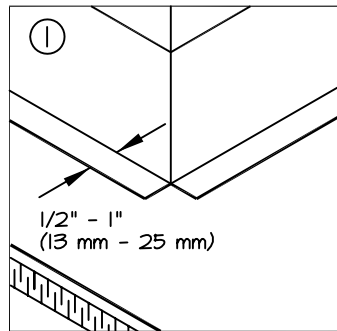
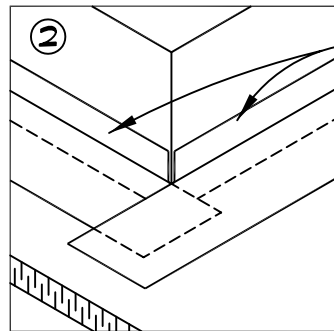


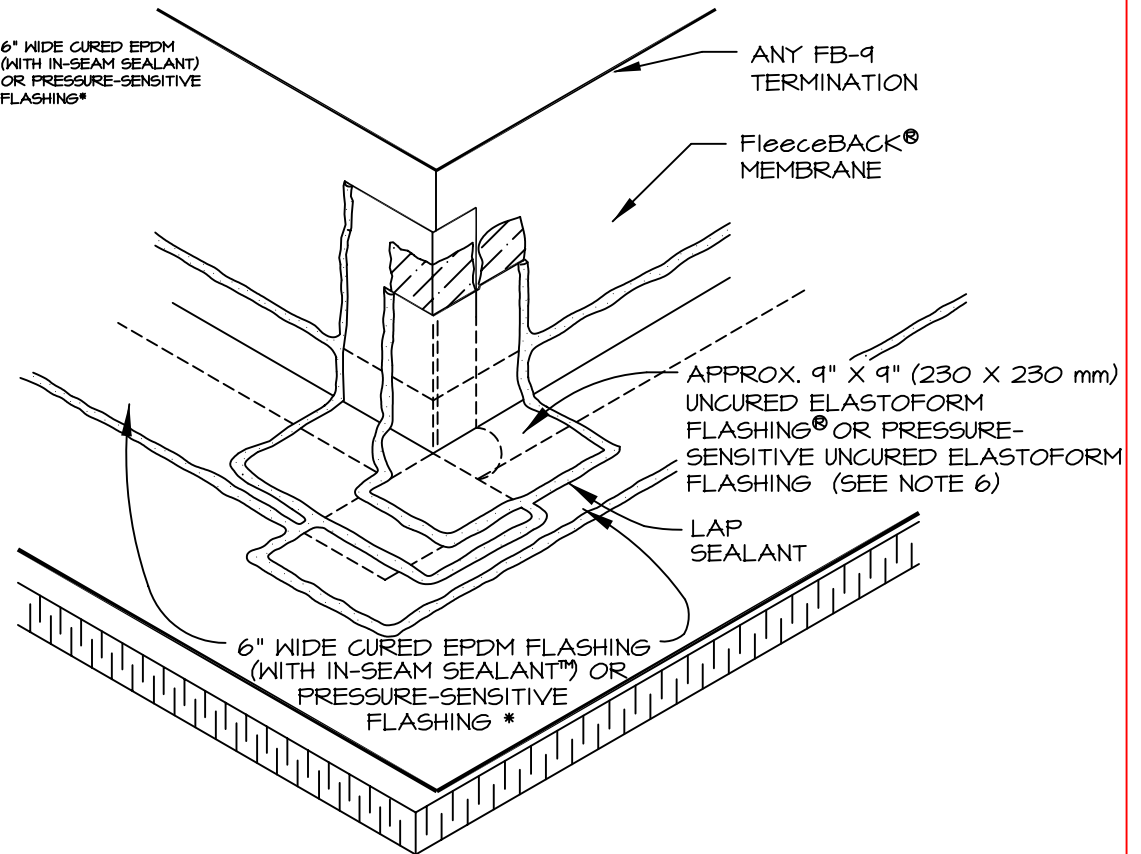
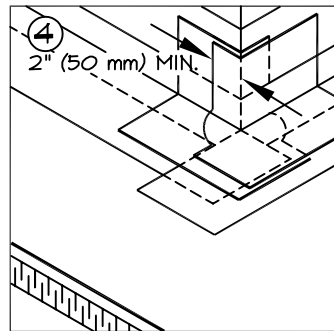
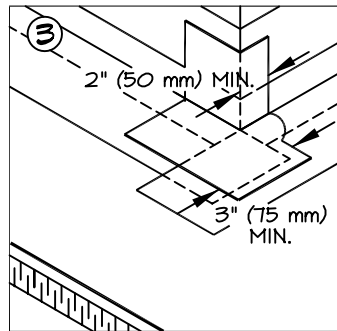
4 PIECE METHOD OF OUTSIDE CORNER FLASHING



* IF SELVAGE EDGE IS PROVIDED ON FLEECEBACK MEMBRANE USED AS FLASHING (AT BASE OF WALL), FOLLOW SPLICE PROCEDURES OUTLINED ON DETAIL FB-12-B.



6" WIDE CURED EPDM (WITH IN-SEAM SEALANT) OR PRESSURE-SENSITIVE FLASHING*



NOTES:

1. UNCURED ELASTOFORM FLASHING TO OVERLAP DECK MEMBRANE 3" (75 mm) MINIMUM AND EXTEND 2" (50 mm) MINIMUM AROUND CORNERS.
2. SEAL ALL EDGES WITH LAP SEALANT.
3. FOR USE OF SURE-SEAL® PRESSURE-SENSITIVE OUTSIDE CORNER FLASHING REFER TO DETAIL FB-15-G.
4. A HEAT GUN MUST BE USED WHEN FORMING SURE-WHITE™ FLASHING.
5. PRESSURE-SENSITIVE CURED COVER STRIP OR OVERLAYMENT STRIP CANNOT BE USED AT CORNERS, PRESSURE-SENSITIVE UNCURED ELASTOFORM FLASHING OR SURE-SEAL INSIDE/OUTSIDE CORNERS MUST BE USED.
6. FOR OPTIONAL CORNER FLASHING, REFER TO FB-15-E, OPTION 2.

FB-15-D

Distributed by: BEST MATERIALS LLC, Phoenix AZ
 Ph: 800-474-7570, 602-272-8128 Fx: 602-272-8014
www.BestMaterials.com Email: Sales@BestMaterials.com

OUTSIDE CORNER / FleeceBACK MEMBRANE FLASHING

CARLISLE
 Carlisle SynTec Incorporated