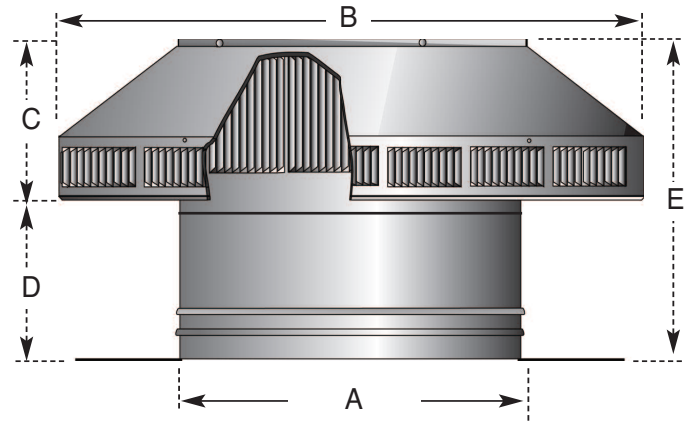


# THE POP VENT™

*The Missing Link in Passive Air Make-up*



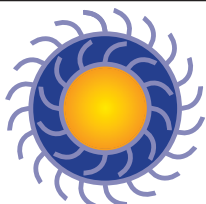
- Provides Outdoor Air Directly Into Fresh Air Ducts, Attics Or Buildings
- Extensively Used As A Conventional Roof Exhaust Vent
- Durable All Aluminum Construction
- Collars Are Available To Increase The Height Of The Vent
- Wind Tested To 120 Mph
- Powder Coating Available
- Lifetime Guarantee

## DIMENSIONS & SPECIFICATIONS

As of Jan. 1, 2004

Dim. in Inches	PV-4	PV-6	PV-8	PV-10	PV-12	PV-14	PV-18	PV-24
A Inside Diam	4	6	8	10	12	14	18	24
B Outside Diam	8	10	12	14	16	18	23	29
C Std Height	5", Without Collars						7	9
D Additional Collar Heights	1,2,4, or 6"; also collars can be combined. E.g. two 6" collars combine for a 12" stack							
E Overall Height w/ 6" Collar	11	11	11	11	11	11	13	15
Free Area sq. in.	12.5	28	50	78	113	144	254	452
Weight in Lbs.	1	1.5	1.75	2	2.5	3	6	10
Application: sq. ft./vent*	52	100	200	325	450	600	1050	1883

\*This is based upon the 1/300 rule: One square foot of ventilation on top for every 600 square feet of floor; 50% exhaust, 50% intake.



Distributed by: BEST MATERIALS® LLC  
 Ph: 800-474-7570, 602-272-8128 Fax: 602-272-8014  
[www.BestMaterials.com](http://www.BestMaterials.com) Email: [Sales@BestMaterials.com](mailto:Sales@BestMaterials.com)