



ReRoof Drains

Technical Product Information

THE NEXT GENERATION OF REROOF DRAINS

SEALS INSTANTLY-
NO SPECIAL TOOLS!

so unique that we've applied for a patent



PORTALS PLUS, INC. 815 Kimberly Drive, Carol Stream, IL 60188



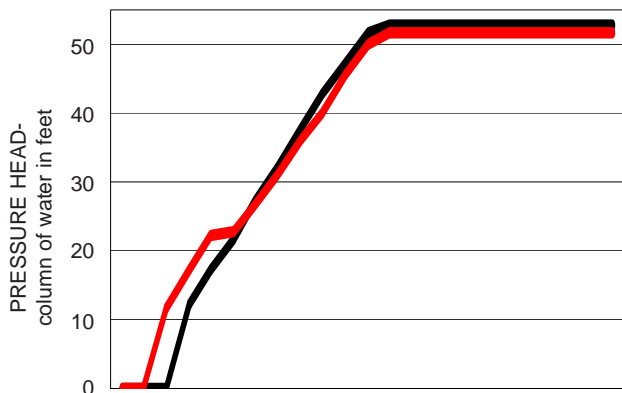
ReRoof Drains

Technical Product Information

Portals Plus, the premier manufacturer of stock rooftop accessories, proudly announces the next generation of tool-free ReRoof Drains!

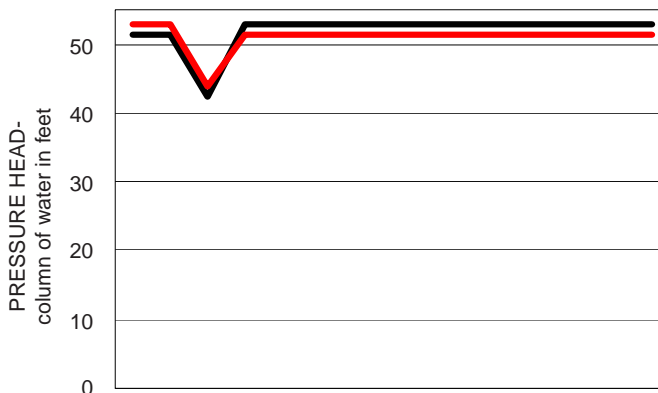
Portals Plus has developed a unique ReRoof Drain with a rubber seal that requires NO TOOLS to activate. *The seal is instantaneous as the ReRoof Drain is inserted into the existing pipe!* Years of research and testing have resulted in this unique seal that actually seals tighter as water pressure increases from backups. Hard to believe, but testing done by the engineering firm that designs the seals for America's deep-diving nuclear submarines proves that it withstands over a 50-foot pressure head of water, both with slow increases in pressure and sudden surges from 0 to 50-feet. The seal was found to resist leaking better than cast iron pipe! During the testing, the cast iron pipe developed porosity leakage from the 50-foot pressure head, but the seal held tight. The unique Portals Plus ReRoof Drains are available now in 2", 3", 4", 5", and 6" sizes in your choice of either aluminum and stainless steel.

SLOW RATE OF PRESSURE INCREASE



Increased height of water column to 50 feet over one minute-
No leakage at seal

RESPONSE TO PRESSURE SURGE



Increased height of water column to 50 feet immediately-
SURGE: No leakage at seal
Held pressure at a 50 feet water column for 18 hours-
STATIC: No leakage at seal



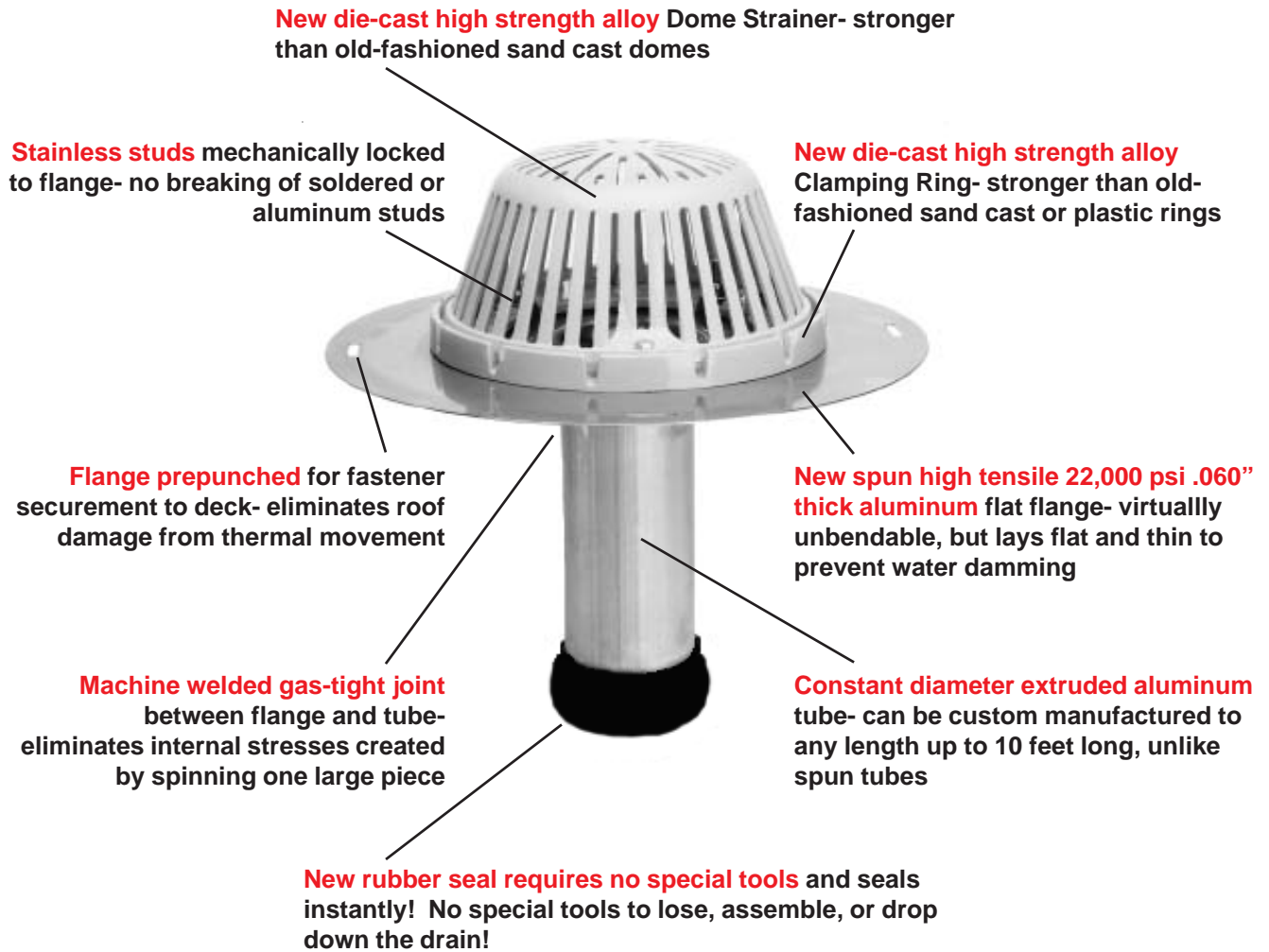
Testing conducted and certified by independent test laboratory

Portals Plus ReRoof Drains, and all of the problem-solving Portals Plus products, are available nationwide at local stocking distributors. Search for the right product for your application at the Portals Plus interactive website at www.portalsplus.com or call Portals Plus at 800-PPI-5240.



ReRoof Drains

Technical Product Information



New die-cast high strength alloy Dome Strainer means fewer debris-clogged drain lines due to broken domes. Further, the Dome Strainer bolts down to prevent malicious vandalism to the drain system.

New die-cast high strength alloy Clamping Ring means secure and even compression of the edge of the roofing system at the lowest point of the roof and prevents backups under the system into the insulation.

Stainless fasteners mechanically locked to the flange mean that the Clamping Ring can be truly tightened to seal the membrane without fear of snapping soldered or aluminum studs.

New spun high tensile 22,000 psi .060" thick aluminum flange remains flat for flush mounting and eliminates the water dam problem created by a thick flange.

Flange prepunched for easy securement to the deck to control thermal movement and eliminate membrane stresses.

Machine welded gas-tight joint between flange and tube creates a unitized construction which eliminates concerns about soldered joints melting and leaking and avoids the internal stresses that cause cracking in large one-piece spinings.

Constant diameter extruded aluminum tube means a sure fit and allows cutting at any point with the same diameter. This means that the seal fits the same at any point on the tube and in the drain pipe, unlike spun tubes which taper.

New rubber seal requires no tools of any kind! Uses the pressure of the water backup itself to seal- the harder the backup, the tighter the seal!

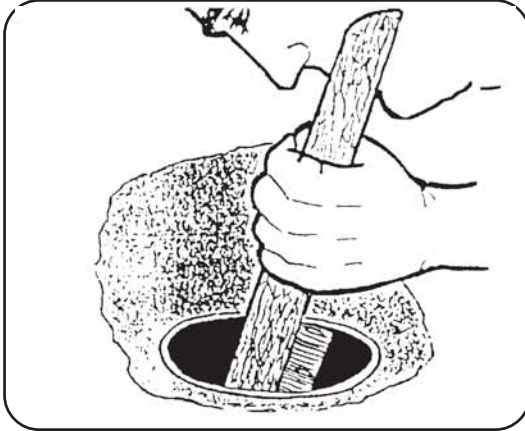
PORTALS PLUS, INC. 815 Kimberly Drive, Carol Stream, IL 60188



ReRoof Drains

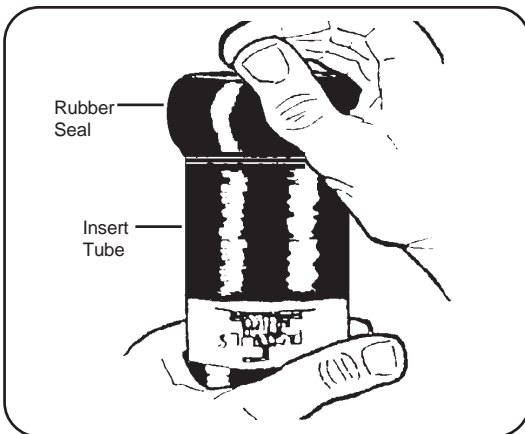
Technical Product Information

Installation Instructions



STEP 1

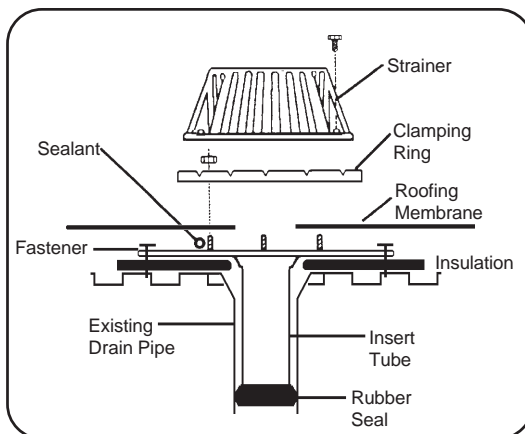
Inspect existing drain pipe to ensure there are no cracks or signs of potential failure. Using a wire brush, clean existing drain line to remove any asphalt, loose debris and other foreign material.



STEP 2

Ensure drain sleeve is the proper size before continuing. Be certain that the rubber seal is fully engaged onto the tube of the ReRoof Drain. To ease installation into the existing drain pipe, water may first be applied to the surface of the rubber seal. Insert the leading edge of the rubber seal into the existing drain pipe and simply rotate the ReRoof Drain in a clockwise motion while pushing the ReRoof Drain down to seat the flange into the membrane manufacturer's recommended adhesive. The flat flange allows a flush mount. Secure the ReRoof Drain to the deck by installing insulation fasteners through the prepunched flange holes.

NOTE: The ReRoof Drain insert tube can be shortened in the field by cutting the tube after removing the rubber seal. Cut the end of the tube square and remove any burrs or rough edges. Replace the rubber seal onto the end of the tube. The rubber seal forms a tight gasket between the tube and the existing drain pipe in the event of a water backup.



STEP 3

Prior to installing dome strainer and clamping ring, per Roofing Manufacturers recommendations, apply sealant on the drain flange. Bring roof membrane onto drain flange. Membrane should extend past drain clamping ring to insure membrane from slipping out. Install clamping ring and tighten so the sealant and membrane compress and form a watertight gasket. Do not tighten bolt greater than 100 torque inch pounds.

With all good roofing practice, all drains should be water tested to ensure existing drain system is free to facilitate water flow. Extended insert tubes are available for excessive insulation buildup.