

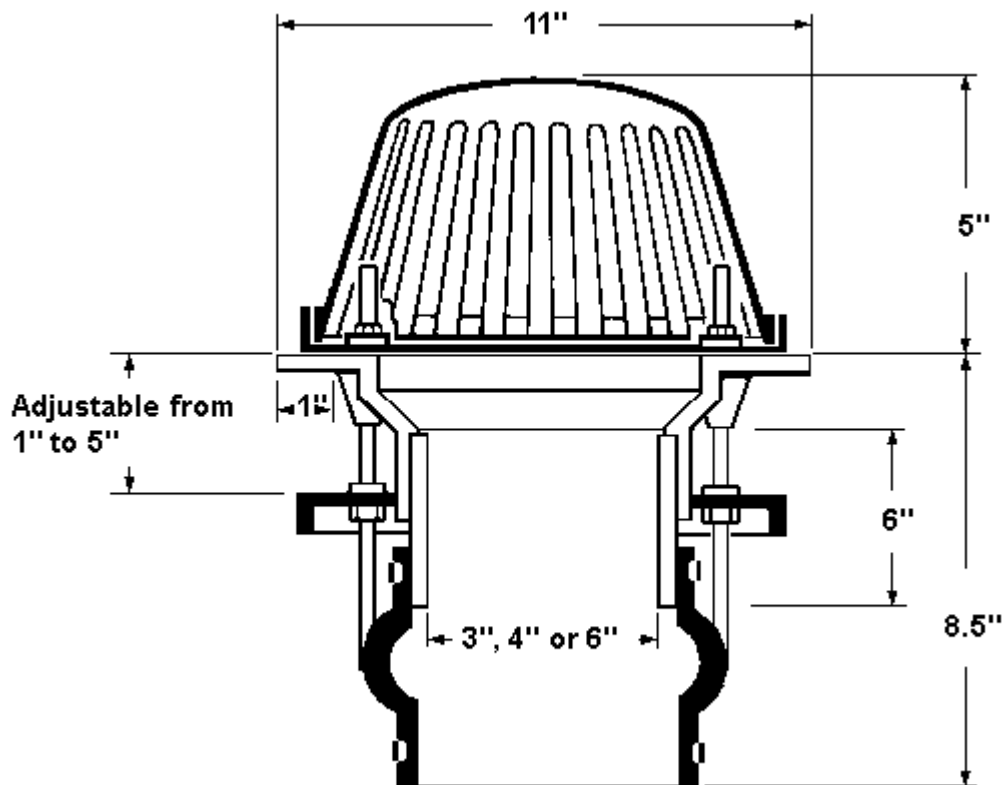
## SPECIFICATION

Furnish and install the Portals Plus, Inc. Roof Drain with Plus Pack, as manufactured by Portals Plus, Inc., Bensenville, IL, at all drain openings as specified on drawings.


Drain shall consist of a molded ultraviolet stabilized polyethylene or cast aluminum dome strainer, a cast aluminum epoxy coated gravel guard and clamping ring, an injection molded ultraviolet stabilized PVC drain body, a 6" long schedule 40 drain body extension, a cast aluminum underdeck clamp, and a flexible EPDM connector with stainless steel clamps.

Attachment and installation shall be done in accordance with Portals Plus' instructions and the roofing membrane manufacturer's recommendations.

(Available in 3", 4" and 6").



How many Roof Drains do I need? See the [Roof Drain Calculator](#).

	PVC ROOF DRAINS		
	NEW UPC PART NUMBER	WILL FIT I.D.	DESCRIPTION
	61001	3"	PVC ROOF DRAIN - w/ PLASTIC DOME
	61041		PVC ROOF DRAIN - w/ ALUMINUM DOME
	61011	4"	PVC ROOF DRAIN - w/ PLASTIC DOME
	61051		PVC ROOF DRAIN - w/ ALUMINUM DOME
	61031	6"	PVC ROOF DRAIN - w/ PLASTIC DOME
	61071		PVC ROOF DRAIN - w/ ALUMINUM DOME

Distributed by: **BEST MATERIALS LLC**, Phoenix AZ  
 Ph: 800-474-7570, 602-272-8128 Fx: 602-272-8014  
[www.BestMaterials.com](http://www.BestMaterials.com) Email: [Sales@BestMaterials.com](mailto:Sales@BestMaterials.com)



## PVC ROOF DRAIN PLUS PACKS

NEW UPC PART NUMBER	WILL FIT I.D.	DESCRIPTION	
61101 61141	<b>3"</b>	PVC PLUS PACK - w/ PLASTIC DOME PVC PLUS PACK - w/ ALUMINUM DOME	
61111 61151	<b>4"</b>	PVC PLUS PACK - w/ PLASTIC DOME PVC PLUS PACK - w/ ALUMINUM DOME	
61131 61171	<b>6"</b>	PVC PLUS PACK - w/ PLASTIC DOME PVC PLUS PACK - w/ ALUMINUM DOME	