



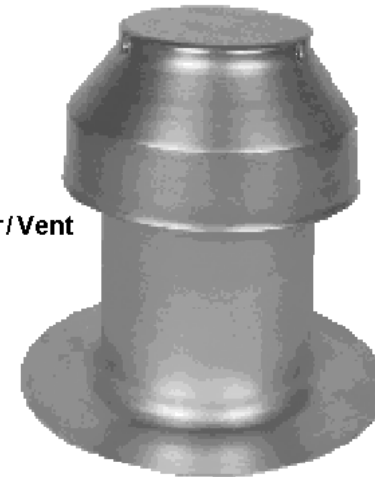
Vents & Breathers

Technical Product Information

Relief of trapped moisture in all types of roof systems



Aluminum Breather / Vent
Standard



Aluminum Breather / Vent
Large



Plastic Breather / Vent
(Black or White)

Portals Plus insulation Breathers and Vents are used to prevent moisture vapor from becoming trapped in the roof system, equalizing air pressure, reducing the risks of ballooning, blow-off, deteriorating insulation and separating deck seams. The Portals Plus Vents have a one way valve designed in the unit to prevent

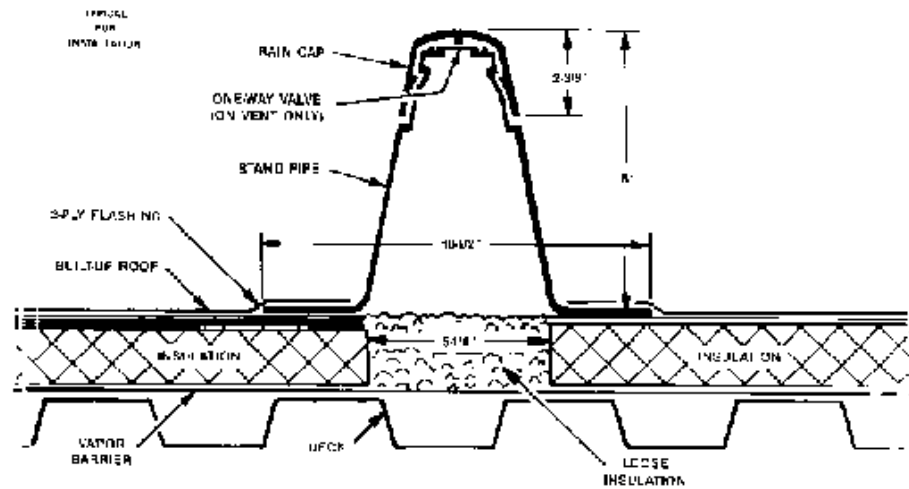
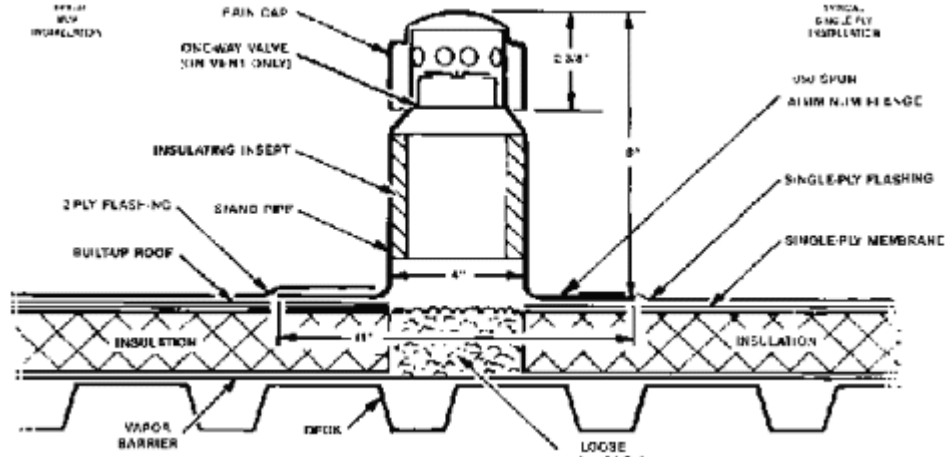
moisture from re-entering the roof system. The Portals Plus Breathers allow for both exhaust and convective movement of air between breathers. Both the Breather and Vent are available in heavy gauge spun aluminum or black high-density polyethylene with a locking, vandal proof cap that shields against entry of wind blown rain or snow.

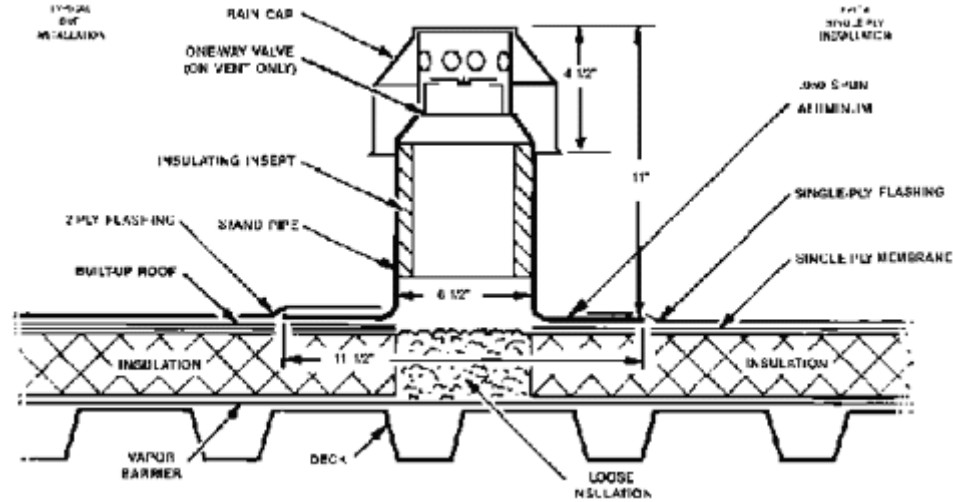


STANDARD ALUMINUM



PLASTIC





How many do I need? [See the Vents and Breathers Recommendations](#)

[Installation Instructions](#)

[CAD Page.](#)

ALUMINUM			
NEW UPC PART NUMBER	DESCRIPTION	QTY/CTN	LIST PRICE PER UNIT
71008	ALUMINUM BREATHER (std.)(2-WAY)	25	
71028	ALUMINUM VENT (std.)(1-WAY)	25	
73008	INSULATION INSERT (for standard only)	25	

PRIMED			
NEW UPC PART NUMBER	DESCRIPTION	QTY/CTN	LIST PRICE PER UNIT
71018	PRIMED ALUMINUM BREATHER (std.)	25	
71038	PRIMED ALUMINUM VENT (std.)	25	
73008	INSULATION INSERT (for standard only)	25	

Call Customer Service For Price

Call Customer Service For Price

HDPE (black)

NEW UPC PART NUMBER	DESCRIPTION	QTY/ CTN	LIST PRICE PER UNIT
72008	BLACK PLASTIC BREATHER (2-WAY)	25	
72018	BLACK PLASTIC VENT (1-WAY)	25	

LARGE ALUMINUM

NEW UPC PART NUMBER	DESCRIPTION	QTY/ CTN	LIST PRICE PER UNIT
74004	ALUMINUM BREATHER (LG)(2-WAY)*	4	
74014	ALUMINUM VENT (LG)(1-WAY)*	4	
74044	ALUMINUM BREATHER (LG)**	4	
74034	ALUMINUM VENT (LG)**	4	

[CAD Page](#)

PORTALS PLUS 815 Kimberly Drive, Carol Stream, IL 60188

TEL: (800) 624-8642 FAX: (866) 466-9335

All information is subject to change without notice. Dimensions and specifications shown are within manufacturing tolerances.
© Copyright Commercial Products Group of Hart & Cooley, Inc., January, 2009. All Rights Reserved.