

Products and parts for deck construction

Technical spec. for

Fixplak 66 (Khaki)

No. article 11C

Economical and robust, this base plate enables a post to be firmly fixed to the floor. It provides a more resistant solution than traditional methods as well as facilitating the construction of your patio or deck.

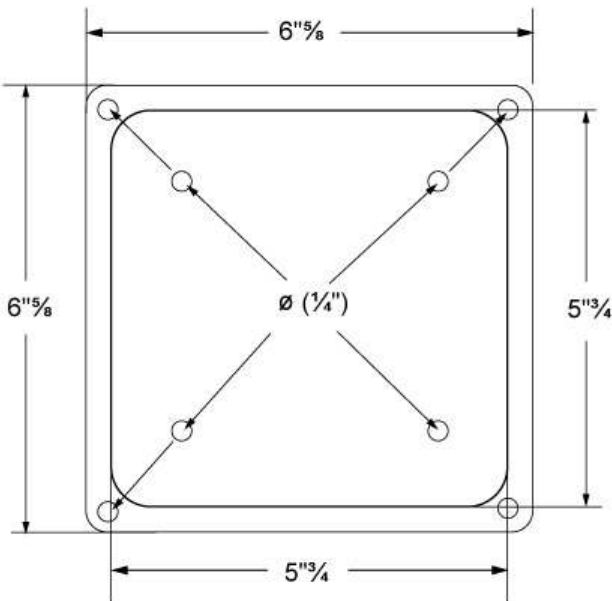
Easy to install (the plate screws under the post, then on the floor), it does not require any maintenance.

To be used with 5 ½ in x 5 ½ in square posts

Baked powder coating finish (anticorrosion)

Pylex .COM

ITEM # 11010



6" ⁵/₈

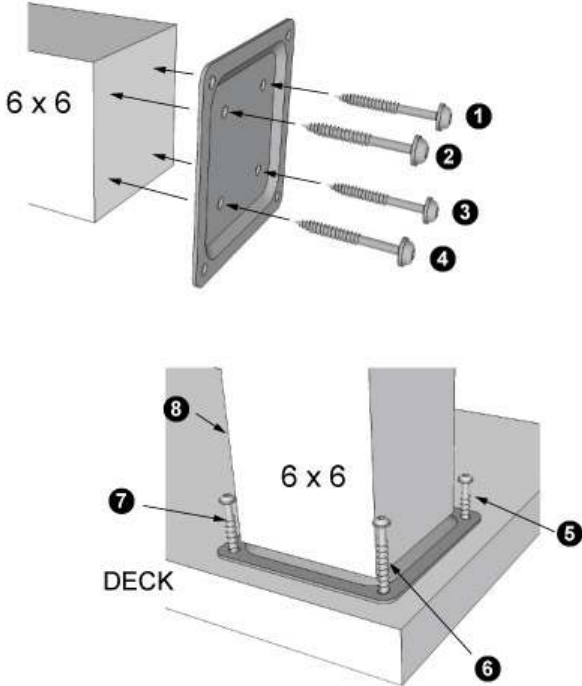
6" ⁵/₈

5" ³/₄

5" ³/₄

Ø (1/4")

Épaisseur de la plaque : 1/4"
Thickness plate : 1/4"



6 x 6

1

2

3

4

6 x 6

DECK

5

6

7

8

Utiliser des vis / Use the screws
#10 de 3"

POIDS / WEIGHT : 0,452 Kg
UTILISATION / USE : 6 X 6