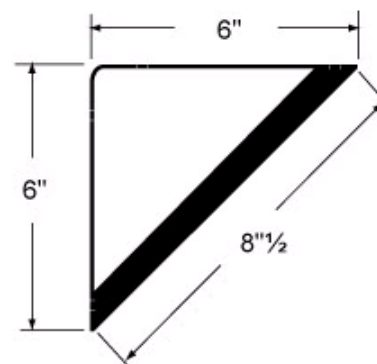
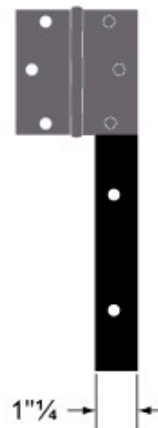
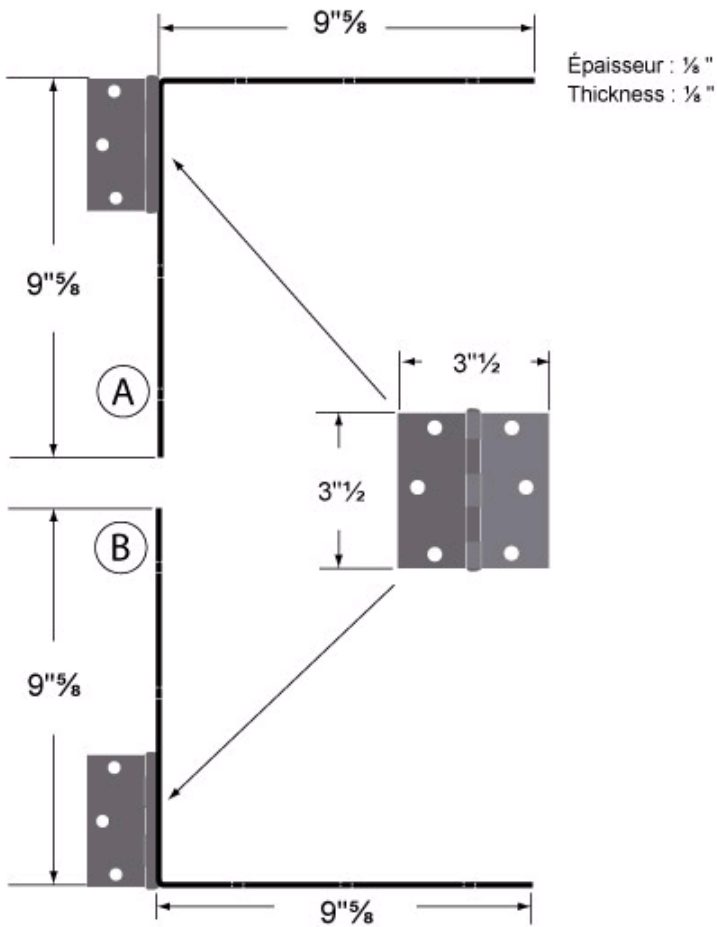




ITEM # 11050

Vis incluses : #8 de 2"½  
Screws included : #8 de 2"½





## *Products and parts for deck construction*

Technical spec. for ***Gate Kit*** No. article 11050

This kit is used for the construction of a wooden barrier for your fence or patio. Made of steel and sturdy, it stops the frame of the barrier from warping. It is weather resistant and requires no maintenance due to its anticorrosion protection.

Easy to install, adapted to barrier frames up to 72 in wide. It creates silent and soft openings, to the left or right.

Includes the instructions and all the necessary hardware (screws, hinges, fixings), except the wood

Baked powder coating finish (anticorrosion)

Used with 2 in x 4 in or 2 in x 3 in structures