

## Products and parts for deck construction

Technical spec. for **Fixplak 24 (White)** No. article 10965

Economical and robust, this base plate enables a transom to be firmly fixed to a post. It provides a more resistant solution than traditional methods as well as facilitating the construction of your patio or deck.

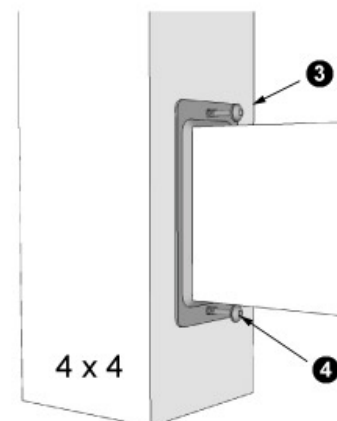
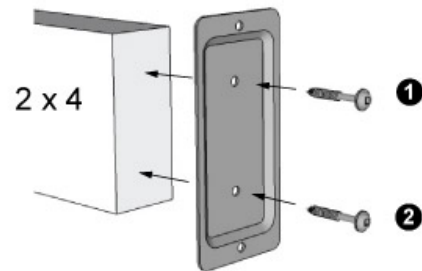
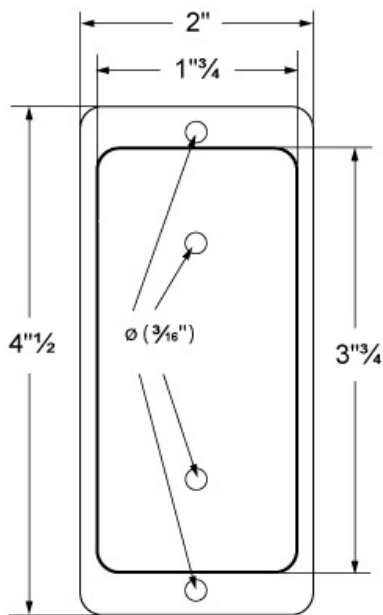
Easy to install (the plate screws under the transom, then on the post), it does not require any maintenance.

To be used with 1 ½ in x 3 ½ in transoms

Baked powder coating finish (anticorrosion)



ITEM # 10965



Utilisé des vis / Use the screws

**# 8 de 2"**

POIDS / WEIGHT : 0,059 Kg  
UTILISATION / USE 2 X 4