

**SMITH® JAY R. SMITH MFG. CO.®**  
 DIVISION OF SMITH INDUSTRIES, INC.  
 POST OFFICE BOX 3237  
 MONTGOMERY, ALABAMA 36109-0237 (USA)

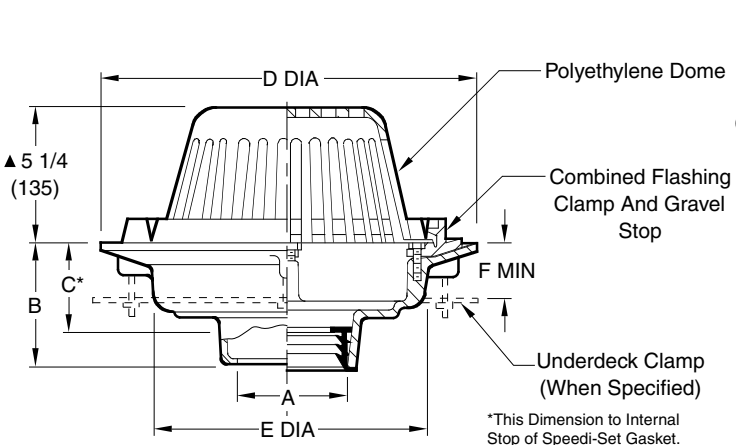
**ASPE** **ASPE** **ASPE**  
 MEMBER OF:

**LOCATION**

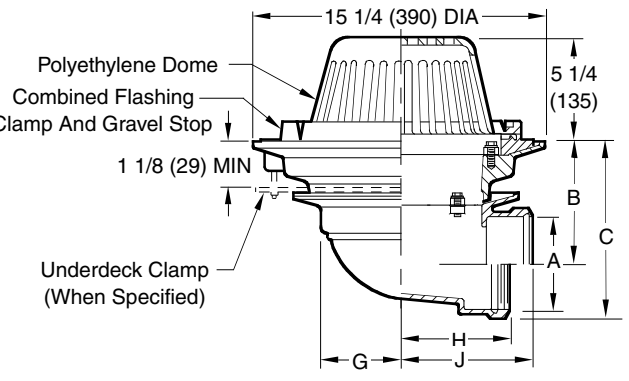
# LARGE GENERAL PURPOSE ROOF DRAINS

## LOW PROFILE DOME

**FUNCTION:** Used in flat roof of any construction. Large low profile dome provides sufficient free area for quick drainage of rain water and protects the drain sump and connected piping from the intrusion of debris. Wide clamping surface holds flashing and roofing materials without puncturing.



- Fig. 1010C ...CAULK OUTLET
- Fig. 1010Y ...NO-HUB OUTLET



- Fig. 1020C 02(50), 03(75) & 04(100)" CAULK OUTLET
- Fig. 1020T 02(50), 03(75) & 04(100)" THREADED OUTLET

**recommended deck opening**

outlet size	with suffix-R	less suffix-R
02(50),03(75),04(100) 05(125),06(150)	17(430) DIA	14(355) DIA
**08(200)-16, **10(250)-16	17(430) DIA	14 3/4 (375) DIA
**08(200), **10(250)	21(535) DIA	18 3/4(475) DIA

A SIZE	B (BOTTOM OUTLET)			SIDE OUTLET			FREE AREA SQ IN (SQ CM)
	CAULK, NO-HUB, & SPEEDI-SET	THREADED	C	D DIA	E DIA	F MIN	
02(50),03(75), 04(100)	5 (125)	3 3/4 (95)	3 3/4 (95)	15 1/4 (390)	11 (280)	1 1/8 (29)	102.5 (661)
05(125), 06(150)	5 (125)	3 3/4 (95)	--	15 1/4 (390)	11 (280)	1 1/8 (29)	102.5 (661)
**08(200)-16, **10(250)-16	6 (150)	5 (125)	--	16 (405)	12 1/2 (320)	1 1/8 (29)	102.5(661) ▲122.5(790)
**08(200), **10(250)	7 3/4 (195)	7 3/4 (195)	--	20 (510)	16 (405)	1 5/8 (41)	▲228 (1471)

**REGULARLY FURNISHED:**

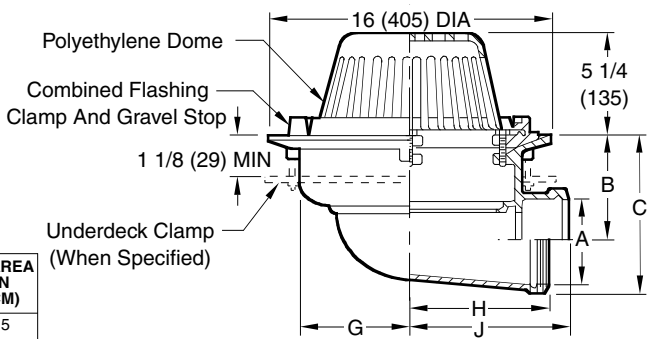
Duco Cast Iron Body with Combined Flashing Clamp and Gravel Stop with Polyethylene Dome.

**▲ NOTE:** The dome height is 8 1/4" (210) for the 122.5 SQ IN free area dome and 7 1/4 (185) for the 228 SQ IN free area dome. They are regularly furnished in Cast Iron and are not available in polyethylene.

**NOTE:** Dimensions shown in parentheses are in millimeters.

**VARIATIONS:**

- Expansion Joint (Specify Fig.1710) (Fig. 1010 only)
- Extension (Specify Height) -E
- "L" Shaped Underdeck Clamp -CL
- L Speedi-Set Service Weight 02(50), 03(75), and 04(100)" sizes only (Fig. 1010 Only)
- LXH Speedi-Set Extra Heavy 02(50), 03(75), and 04(100)" sizes only (Fig. 1010 only)
- NO-HUB Adaptor (Specify Fig. 2646Y) (Fig. 1020 only)
- Secondary Flashing Clamp -C2
- Sump Receiver -R
- Underdeck Clamp -C
- Vandal Proof Dome -U
- T Threaded Outlet



- Fig. 1020C 05(125) & 06"(150) CAULK OUTLET
- Fig. 1020T 05(125) & 06"(150) THREADED OUTLET

**(SIDE OUTLET)**

A SIZE	02 (50)	03 (75)	04 (100)	05 (125)	06 (150)
B	6 7/8 (175)	6 3/8 (162)	5 7/8 (149)	5 (125)	4 1/2 (115)
C	8 5/8 (219)	8 3/4 (220)	8 3/4 (220)	8 1/2 (215)	8 1/2 (215)

**OPTIONAL MATERIALS:**

- All Aluminum -AA (Fig. 1010 only)
- ▲▲ Aluminum Dome -AD
- ▲▲ Cast Iron Dome -CID
- ▲▲ Galvanized Cast Iron Dome -CIDG
- Galvanized Cast Iron Body & Collar -G
- ▲▲ Rough Bronze Dome -RBD
- Stainless Steel (Specify Fig. 9780)

**▲▲ Optional Domes' free area are as follows:**

Dome Mat'l	02-06 & 08-16 Outlets	08 & 10 Outlets w/ 20" Flange
Aluminum	98 (632)	150 (968)
Cast Iron	80 (516)	-----
Bronze	95 (613)	150 (968)

DRAWING NUMBER S1010  
 SCALE: NONE  
 DATE: 5-24-85  
 APPROVED BY: TD  
 CHECKED BY: TD  
 DRAWN BY: CR  
**1010, 1020**  
 DIMENSIONS ARE SUBJECT TO MANUFACTURERS TOLERANCE AND CHANGE WITHOUT NOTICE  
 WE CAN ASSUME NO RESPONSIBILITY FOR USE OF SUPERSEDED OR VOID DATA

REV.	DATE	DESCRIPTION	BY	CKD. BY
S R	06/01/09 06-09-08	Added Optional Dome free areas Added NOTE	JJ RN	CL CL

**WEIGHT POUNDS**  
**VOLUME CUBIC FEET**

**FIGURE NUMBER**  
**1010, 1020**