

**SMITH® JAY R. SMITH MFG. CO.®**  
 DIVISION OF SMITH INDUSTRIES, INC.  
 POST OFFICE BOX 3237  
 MONTGOMERY, ALABAMA 36109-0237 (USA)



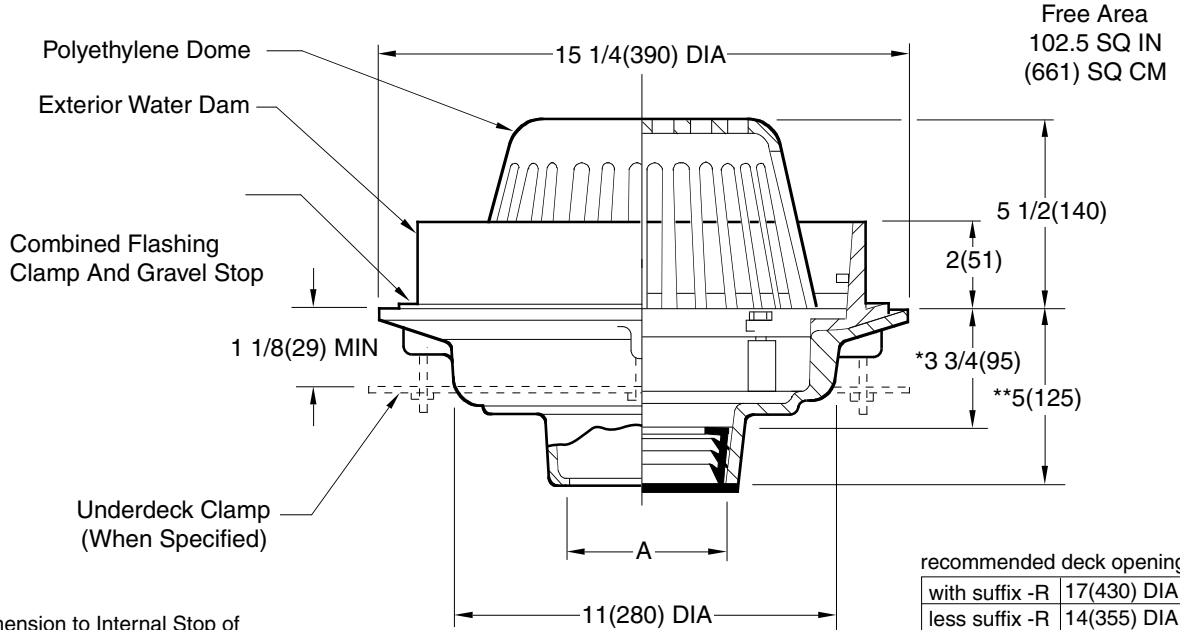
LOCATION

J  
 DRAWING NUMBER S1080  
 SIZE A  
 SCALE: NONE  
 DATE: 8-19-83  
 APPROVED BY: JD  
 CHECKED BY: JD  
 DRAWN BY: CR  
 1080  
 DIMENSIONS ARE SUBJECT TO MANUFACTURERS TOLERANCE AND CHANGE WITHOUT NOTICE

# SPECIAL PURPOSE ROOF DRAINS

## WATER DAM TYPE

**FUNCTION:** Used in flat roofs of any construction where a constant height of water is desired on the roof. It may also be used as an emergency overflow for conventional roofs, draining rain water when the depth of the water on the roof reaches the water dam height.



\*This Dimension to Internal Stop of Speedi-Set Gasket  
 \*\*Same for Caulk, NO-HUB and Speedi-Set. 3 3/4(95) for Threaded.

A (Pipe Size) 02(50), 03(75), 04(100), 05(125), 06(150) or 08(200)

Fig. 1080C . . . . CAULK OUTLET  
 Fig. 1080Y . . . . NO-HUB OUTLET

**REGULARLY FURNISHED:**

Duco Cast Iron Body, Flashing Clamp and Gravel Stop with Polyethylene Dome, and Cast Iron Water Dam.

**NOTE:** Dimensions shown in parentheses are in millimeters.

**VARIATIONS:**

- Adjustable Extension(Specify Fig. 1045)
- Expansion Joint (Specify Fig. 1710)
- Extension -E (Specify Height)
- "L" Shaped Underdeck Clamp -CL
- L Speedi-Set Service Weight  
02(50), 03(75) & 04(100)" sizes only
- LXH Speedi-Set Extra Heavy  
02(50), 03(75) & 04(100)" sizes only
- Secondary Flashing Clamp -C2
- Sump Receiver -R
- Underdeck Clamp -C
- Vandal Proof Dome -U
- T Threaded Outlet
- 2 1/2(64), 3(76) or 4"(100) Water Dams Available -WD

**OPTIONAL MATERIALS:**

- ▲ Aluminum Dome -AD
- ▲ Cast Iron Dome -CID
- Galvanized Cast Iron Body & Collar -G
- ▲ Galvanized Cast Iron Dome -CIDG
- ▲ Rough Bronze Dome -RBD

**▲ Optional domes' free area are as follows:**

|           |          |
|-----------|----------|
| Aluminum  | 98 (632) |
| Cast Iron | 80 (516) |
| Bronze    | 95 (613) |

|        |                    |  |          |          |
|--------|--------------------|--|----------|----------|
| J<br>H | 06/04/09<br>9-8-08 | Added Optional Dome Notes<br>Rev. Variations | JJ<br>RN | CL<br>TK |
| REV.   | DATE               | DESCRIPTION                                  | BY       | CKD. BY  |

|                  |                      |
|------------------|----------------------|
| WEIGHT<br>POUNDS | VOLUME<br>CUBIC FEET |
|                  |                      |

|               |
|---------------|
| FIGURE NUMBER |
| <b>1080</b>   |