

F



**JAY R. SMITH MFG. CO.**  
 DIVISION OF SMITH INDUSTRIES, INC.  
 POST OFFICE BOX 3237  
 MONTGOMERY, ALABAMA 36109-0237 (USA)  
 TEL: 334-277-8520 FAX: 334-272-7396 www.jrsmith.com



MEMBER OF:



LOCATION

# ROOF ACCESSORY

## DOWNSPOUT NOZZLE

**FUNCTION:** Used as a parapet overflow or at the base of a wall where a concealed leader discharges rainwater to ground. Nozzle design diverts water away from building, eliminating wall stains. Wall flange covers rough opening and serves as anchor.

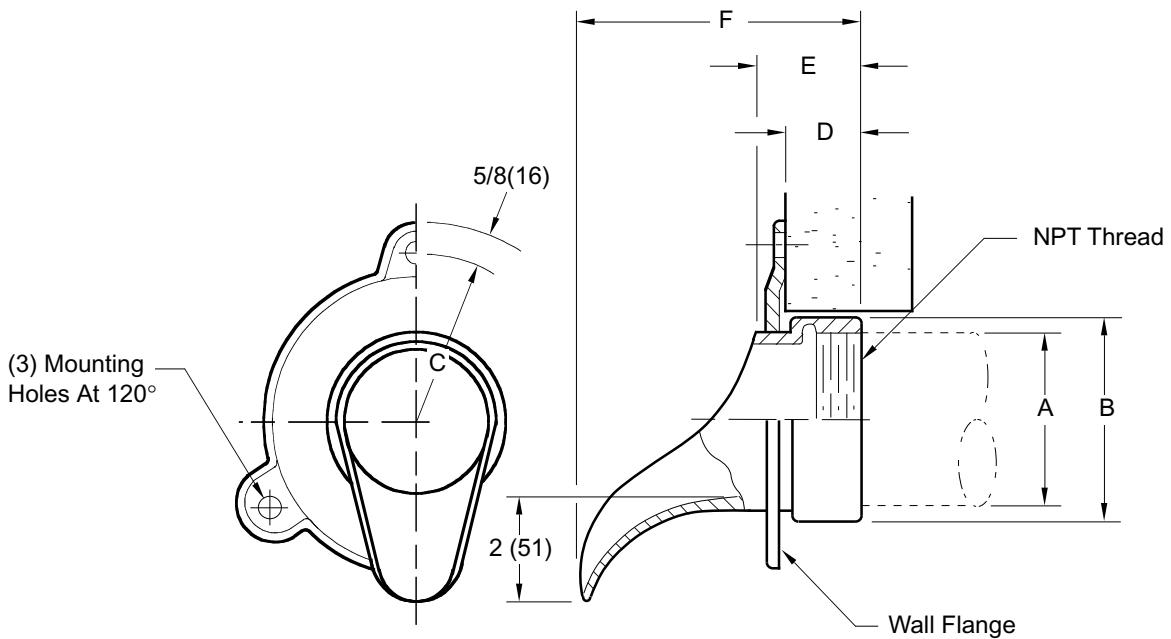


Fig. 1770T

A=PIPE	02(50)	03(75)	04(100)	05(125)	06(150)	08(200)	10(255)	12(305)
B=DIA	2 3/4 (70)	4 (100)	5 (125)	6 (150)	7 1/4 (185)	9 1/4 (235)	11 1/8 (283)	13 1/4 (335)
C=RAD	2 3/4 (70)	3 1/2 (89)	3 7/8 (98)	4 3/8 (111)	5 (125)	5 7/8 (149)	7 1/4 (185)	8 (205)
D	1 3/8 (35)	1 3/8 (35)	1 3/8 (35)	1 3/8 (35)	1 3/8 (35)	1 5/8 (41)	1 3/4 (44)	2 (51)
E	2 1/16 (52)	2 1/16 (52)	2 1/16 (52)	2 1/16 (52)	2 1/16 (52)	2 3/8 (60)	2 3/4 (70)	2 15/16 (75)
F	5 5/8 (143)	5 5/8 (143)	5 5/8 (143)	5 5/8 (143)	5 5/8 (143)	5 15/16 (149)	5 3/8 (138)	7 9/16 (192)

**NOTE:** Dimensions shown in parentheses are in millimeters.

**REGULARLY FURNISHED:**  
 Cast Bronze Nozzle and Flange.

**VARIATIONS:**  
 Bird Screen -BS

**OPTIONAL MATERIALS:**  
 Nickel Bronze -NB  
 Polished Bronze -PB

DRAWING NUMBER  
**S1770**

SIZE  
**A**

SCALE:  
**NONE**

DATE:  
**2-25-85**

APPROVED BY:  
**JD**

CHECKED BY:  
**JD**

DRAWN BY:  
**CR**

**1770**

WE CAN ASSUME NO RESPONSIBILITY FOR USE OF SUPERSEDED OR VOID DATA

DIMENSIONS ARE SUBJECT TO MANUFACTURERS TOLERANCE AND CHANGE WITHOUT NOTICE

REV.	DATE	DESCRIPTION	BY	CKD. BY	WEIGHT POUNDS	VOLUME CUBIC FEET	FIGURE NUMBER
F	6-16-05	Revised Table	RN	CL			<b>1770</b>
E	04/05/04	Added Bird Screen Variation	JJ	CL			
D	6-16-99	Revised Millimeters	CMD	BS			