



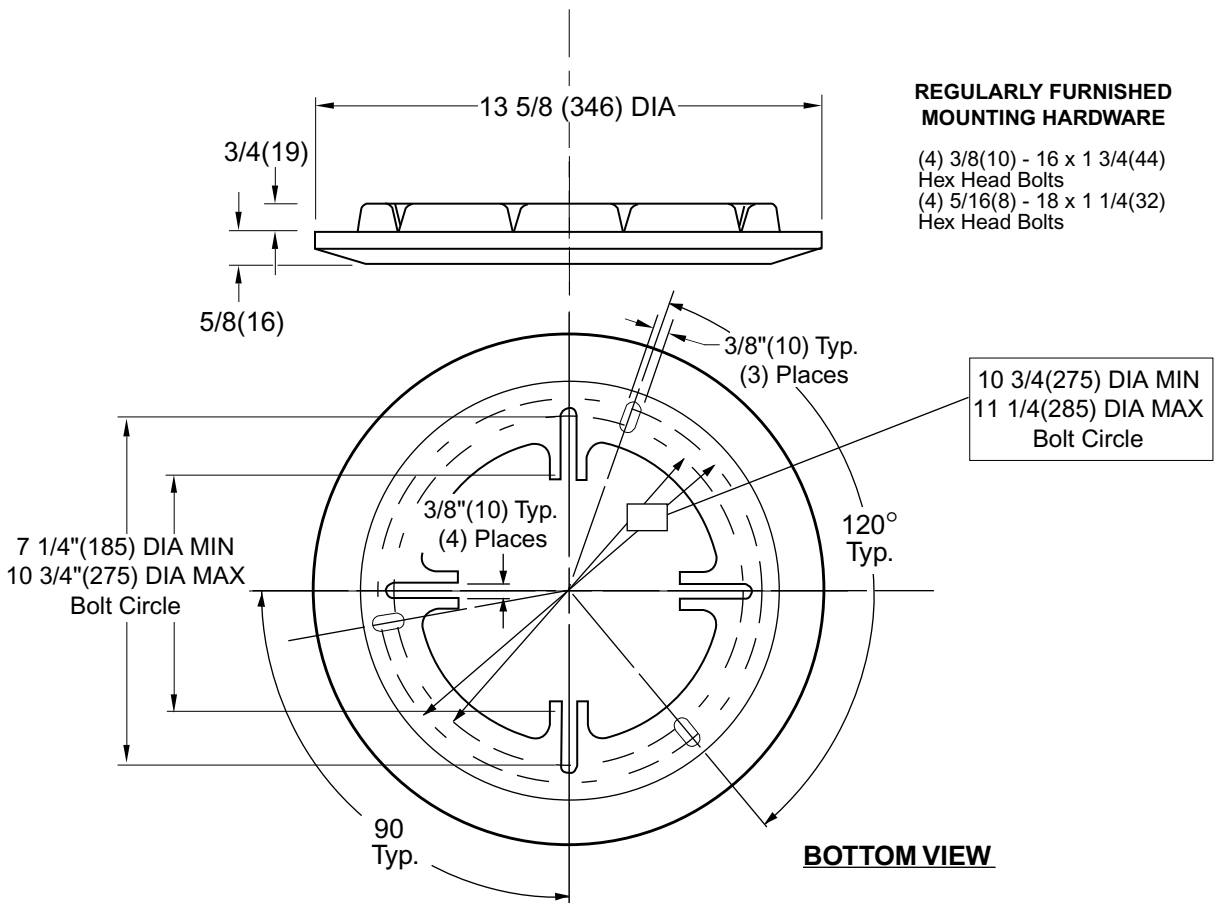
| | | | | | |
|----------|--|---|--|--|-----------------|
| D |  JAY R. SMITH MFG. CO.® DIVISION OF SMITH INDUSTRIES, INC. POST OFFICE BOX 3237 MONTGOMERY, ALABAMA 36109-0237 (USA) TEL: 334-277-8520 FAX: 334-272-7396 www.jrsmith.com |  MEMBER OF: |  PLUMBING AND DRAINAGE INSTITUTE |  | LOCATION |
|----------|--|---|--|--|-----------------|

UNIVERSAL ROOF DRAIN MEMBRANE CLAMPING COLLAR

FUNCTION: Universal cast iron membrane clamping collar designed for retrofit roof applications where the existing main roof drain body is to remain in place and continue to be operative. The bolting lugs of this collar match the bolt pattern of the majority of the common roof drain bodies and generally conform to the surface angles of the flange. This allows easy replacement along with adequate pressure on the membrane to insure water tightness. The collar is designed to accompany most 15"(380) and 16"(405) diameter roof drain bodies with bolt circles ranging 7 1/4"(185) to 10 3/4"(275) in diameter. It is recommended to extend roof membrane into the sump of existing roof drain body.

DRAWING NUMBER **S1002**
 SIZE **A**
 SCALE: **NONE**
 DATE: **4-11-94**
 APPROVED BY: **JCS**
 CHECKED BY: **CS**
 DRAWN BY: **EMB**
 FIGURE NUMBER **1002**

WE CAN ASSUME NO RESPONSIBILITY FOR USE OF SUPERSEDED OR VOID DATA
 DIMENSIONS ARE SUBJECT TO MANUFACTURERS TOLERANCE AND CHANGE WITHOUT NOTICE



REGULARLY FURNISHED:
 Duco Coated Universal Cast Iron Membrane Clamping Collar with Mounting Hardware.

- VARIATIONS:**
- Perf. S.S. Gravel Guard (Specify Height)
 - Solid Water Dam Collar -WD (Specify Height)
 - Vandal Proof Dome -U (When dome is specified)

OPTIONAL MATERIALS:
 Galvanized Cast Iron Collar -CG

NOTE: Dimensions shown in parentheses are in millimeters.

| | | | | | | | |
|------|---------|------------------------|-----|---------|---------------|-------------------|-------------------------------------|
| REV. | DATE | DESCRIPTION | BY | CKD. BY | WEIGHT POUNDS | VOLUME CUBIC FEET | FIGURE NUMBER 1002 |
| D | 5-26-99 | Revised Opt. Materials | CMD | BS | | | |
| C | 10-7-96 | Added Millimeters | EMB | BS | | | |
| B | 7-19-94 | Submittal Update | EMB | BS | | | |
| A | 5-4-94 | Rev Reg Furn & Opt Mat | EMB | JCS | | | |