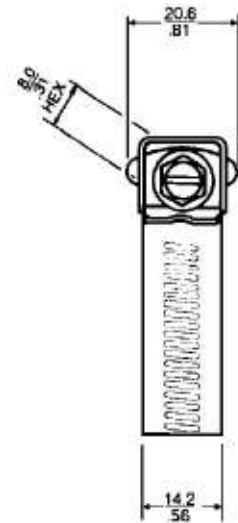
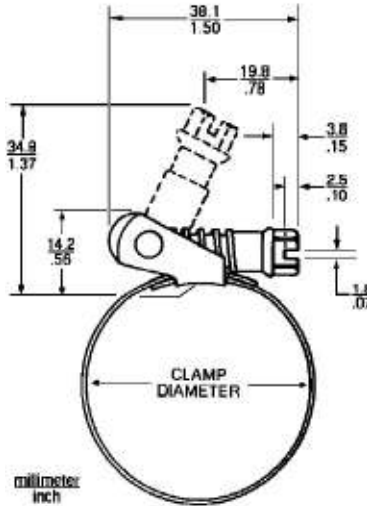




Snaplock Clamps

Technical Product Information

Snaplock Clamp

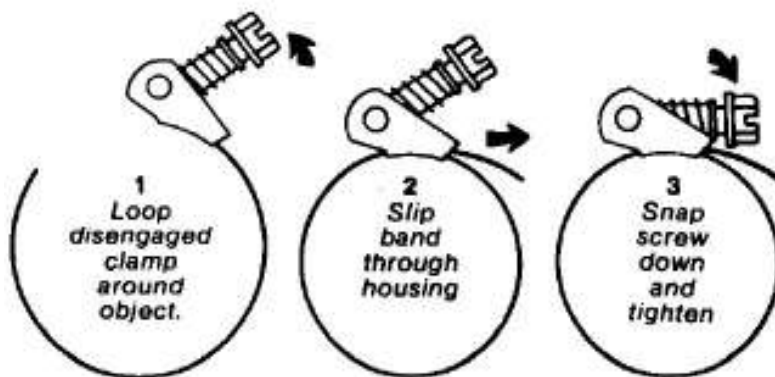


SPECIFICATION

Furnish and install SNAPLOCK Stainless Steel Clamp Band as manufactured by Portals Plus, Inc., Bensenville, IL at all penetrations on the roof, walls, and floors or as shown on drawings.

The Snaplock Clamp Band shall be constructed with a stainless steel band and housing, zinc-plated, yellow chromate, carbon steel bridge and .3125" screw. Clamp band shall conform to all drawings shown.

PPI PART NO.	Clamp Diameters			
	English (inches)		Metric (mm)	
	Min.	Max.	Min.	Max.
M001	.75	1.75	19	44
M002	.875	2.75	23	70
M007	1	4	26	100
M005	2	6	51	152
M003	2	7	51	176
M004	2.3125	8.50	60	215
M006	1.75	15	42	378



Distributed by: **BEST MATERIALS LLC, Phoenix AZ**
 602-272-8128, sales@bestmaterials.com, www.bestmaterials.com