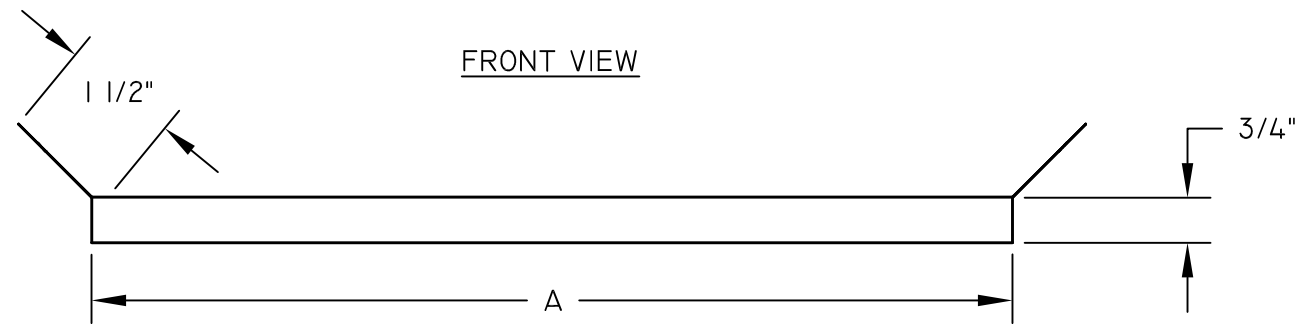
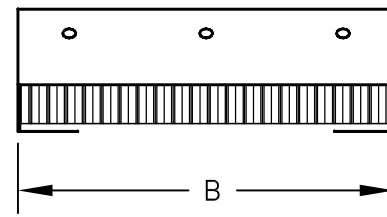


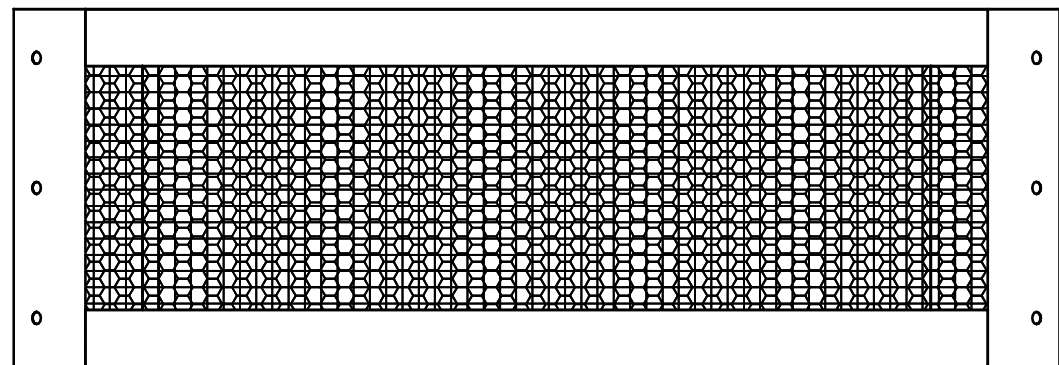
FRONT VIEW



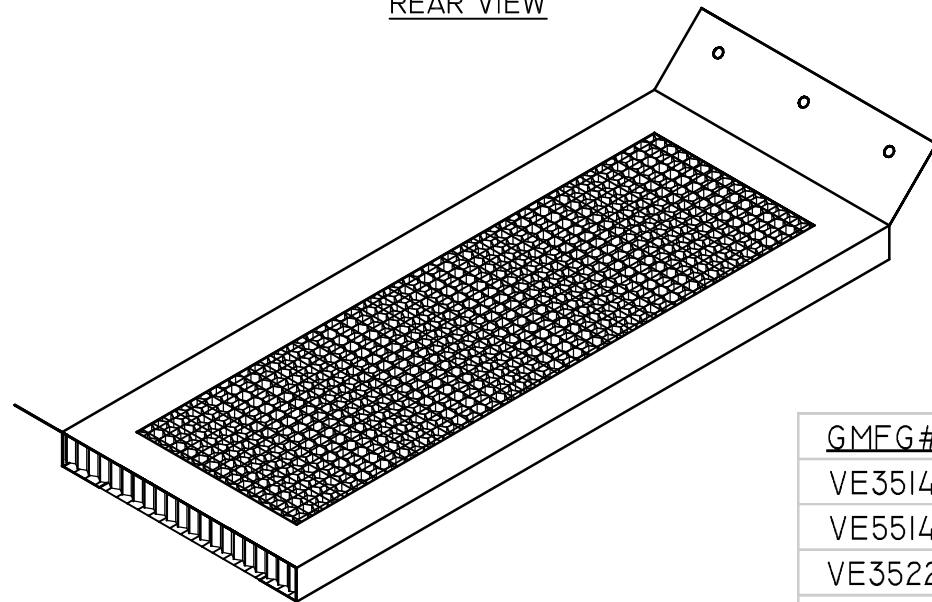
SIDE VIEW



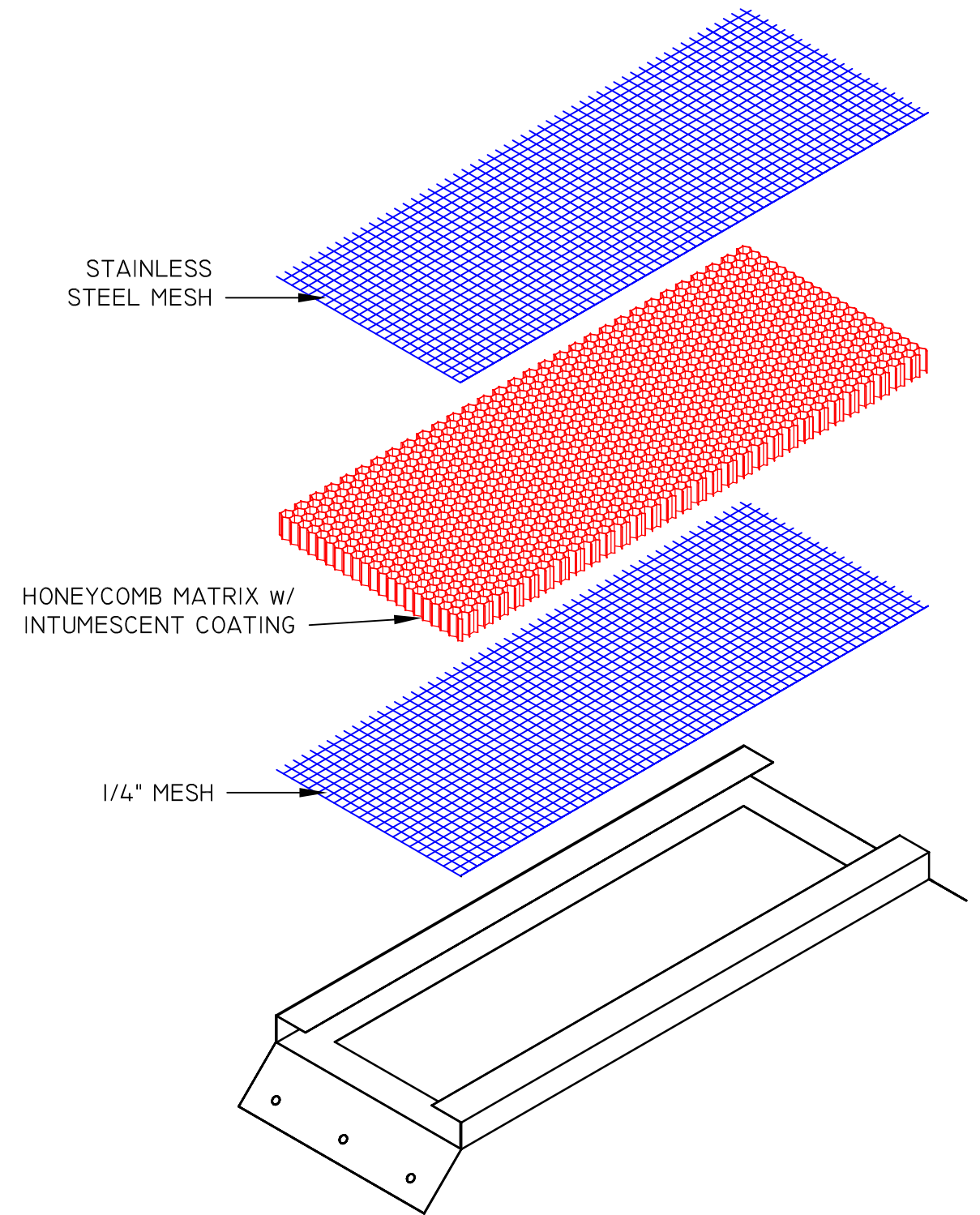
END VIEW



REAR VIEW



GMFG#	A	B
VE3514	14	3 1/2
VE5514	14	5 1/2
VE3522	22	3 1/2
VE5522	22	5 1/2



Distributed by: BEST MATERIALS®
 Ph: 800-474-7570, 602-272-8128 Fax: 602-272-8014
www.BestMaterials.com Email: Sales@BestMaterials.com

VULCAN EAVE VENT