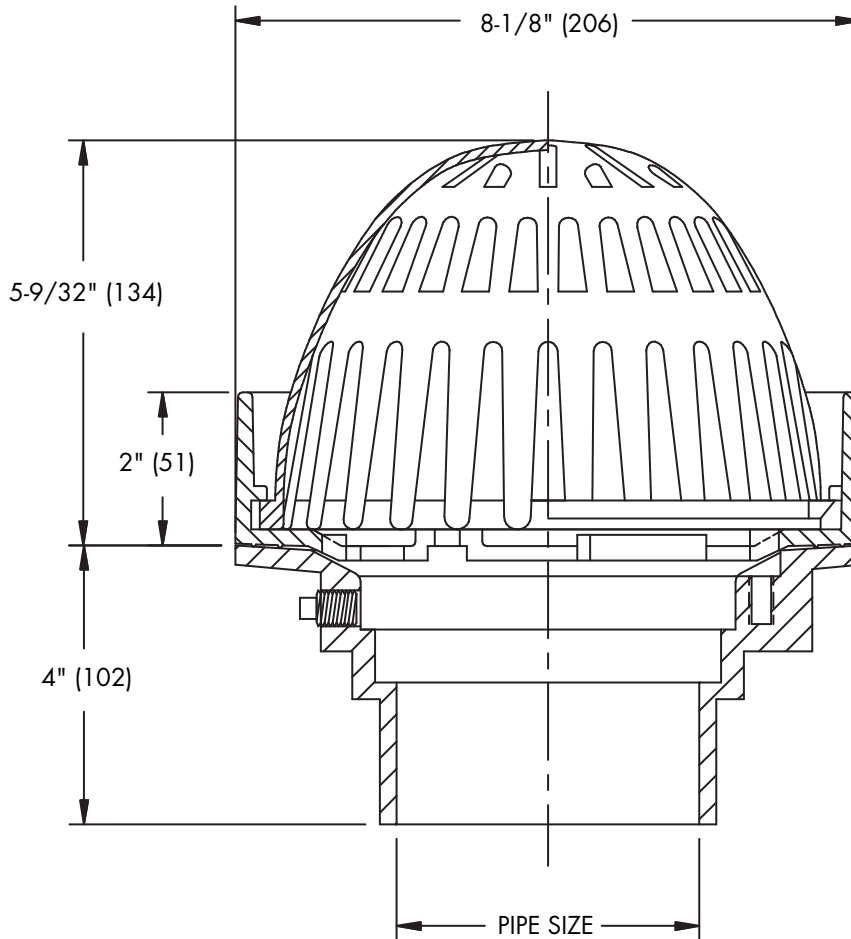




**RD-200-R**  
 Tag: \_\_\_\_\_

**Overflow Roof Drain with  
 2" External Water Dam**

**SPECIFICATION:** Watts Drainage RD-200-R epoxy coated cast iron overflow roof drain with flashing clamp with integral 2" (51) high external water dam, self-locking polyethylene dome, and no hub (standard) outlet.



**Components**

B3	B3-R
B3-DM	FC-2

**Pipe Sizing (Select One)**

Suffix	Description	
2	2" (51) Pipe Size	<input type="checkbox"/>
3	3" (76) Pipe Size	<input type="checkbox"/>
4	4" (102) Pipe Size	<input type="checkbox"/>

**Outlet Type (Select One)**

Suffix	Description	
NH	No Hub (MJ)	<input type="checkbox"/>
P	Push On	<input type="checkbox"/>
T	Threaded Outlet	<input type="checkbox"/>
X	Inside Caulk	<input type="checkbox"/>

**Options (Select One or More)**

Suffix	Description	
-13	Galvanized Body & Flashing Clamp	<input type="checkbox"/>
-B	Sump Receiver	<input type="checkbox"/>
-D	Underdeck Clamp	<input type="checkbox"/>
-F	Adjustable Extension Flange	<input type="checkbox"/>
-GSS	Stainless Steel Ballast Guard	<input type="checkbox"/>
-K	Ductile Iron Dome	<input type="checkbox"/>
-K80	Aluminum Dome	<input type="checkbox"/>
-K81	Rough Bronze Dome	<input type="checkbox"/>
-L	Vandal Proof Dome	<input type="checkbox"/>
-SO	Side Outlet	<input type="checkbox"/>
-W	Adjustable Internal Water Dam	<input type="checkbox"/>

**Optional Body Material**

Suffix	Description	
-60	PVC Body w/Socket Outlet	<input type="checkbox"/>
-61	ABS Body w/Socket Outlet	<input type="checkbox"/>

Chart B

Free Area Sq. In.	Std.	P	T	X	60/61	
	No Hub	Push On	Female Thread	Inside Caulk	PVC/ABS	
35	2" (51)	3-5/8" (92)	4-1/4" (108)	4-1/4" (108)	4-1/4" (108)	3-3/4" (95)
	3" (76)	3-5/8" (92)	4-1/4" (108)	4-1/4" (108)	4-1/4" (108)	3-5/8" (92)
	4" (102)	3-5/8" (92)	4-1/4" (108)	4-1/4" (108)	4-1/4" (108)	3-7/8" (94)

\*\* Side Outlet (-SO) option only available in 2" (51), 3" (76), 4" (102) pipe sizes. Underdeck Clamp (-D options) are not available when -SO is selected.

**Deck opening 6-1/2" (165)  
 with sump receiver 8" (203)**

Job Name \_\_\_\_\_ Contractor \_\_\_\_\_  
 Job Location \_\_\_\_\_ Contractor's P.O. No. \_\_\_\_\_  
 Engineer \_\_\_\_\_ Representative \_\_\_\_\_

WATTS Drainage reserves the right to modify or change product design or construction without prior notice and without incurring any obligation to make similar changes and modifications to products previously or subsequently sold. See your WATTS Drainage representative for any clarification. Dimensions are subject to manufacturing tolerances.



Specification Drainage Products