



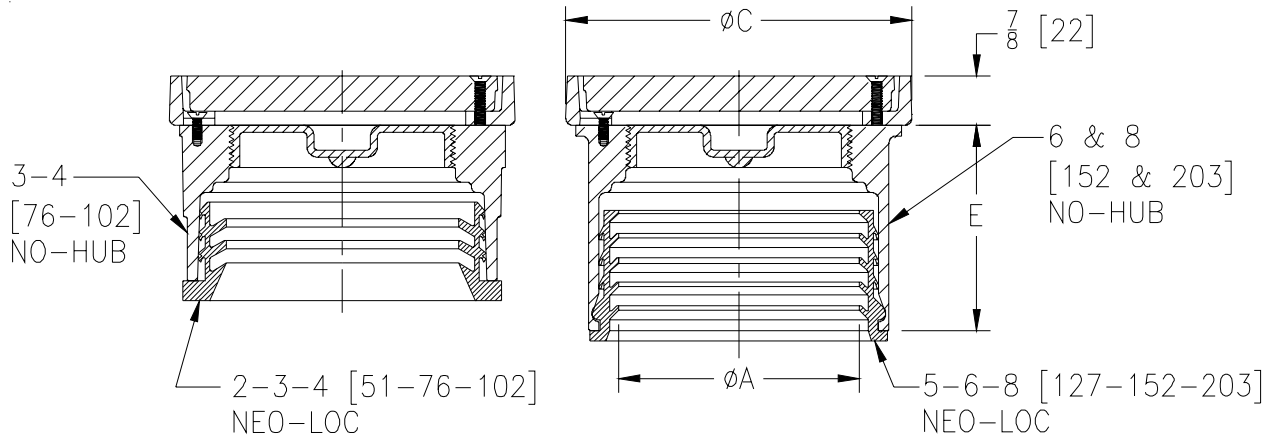
Z1402

SPECIFICATION SHEET

HEAVY-DUTY NON-ADJUSTABLE FLOOR CLEANOUT

TAG _____

Dimensional Data (inches and [mm]) are Subject to Manufacturing Tolerances and Change Without Notice



Dimensions In Inches				Approx. Wt. Lbs. [kg]
A-Pipe Size		C	E	
NL	NH			
2 [51]	3 [76]	4-1/8 [105]	2-3/4 [70]	5 [2]
3 [76]	4 [120]	5-1/8 [130]	2-3/4 [70]	8 [4]
4 [102]	---	6-1/8 [156]	2-3/4 [70]	10 [5]
5 [127]	6 [152]	7-1/4 [184]	3-5/8 [92]	15 [7]
6 [152]	---	8-1/4 [210]	3-5/8 [92]	17 [8]
8 [203]	8 [203]	9-1/4 [235]	3-5/8 [92]	22 [10]

ENGINEERING SPECIFICATION: ZURN Z1402

Tuf-Top non-adjustable floor cleanout with Dura-Coated cast iron body, with gas and watertight ABS tapered thread plug, and round scoriated cast iron heavy-duty secured cover and frame.

OPTIONS (Check/specify appropriate options)

PIPE SIZE

3 thru 6 - 8 [76 thru 152 - 203]
2 thru 6 - 8 [51 thru 152 - 203]

(Specify size/type) OUTLET

____ NH No-Hub
____ NL Neo-Loc

'E' BODY HT. DIM.

See Chart
See Chart

PREFIXES

____ Z Dura-Coated Cast Iron*
 ____ ZB D.C.C.I. with Polished Bronze Light-Duty Top (Deduct 1/2 [13] from 7/8 [22] Dim.)
 ____ ZN D.C.C.I. with Polished Nickel Bronze Light-Duty Top (Deduct 1/2 [13] from 7/8 [22] Dim.)
 ____ ZS D.C.C.I. with Polished Stainless Steel Heavy-Duty Top (Add 3/16 [5] to 7/8 [22] Dim.)

SUFFIXES

____ -BP Bronze Plug
 ____ -CM Carpet Marker
 ____ -DX Round ZB or ZN Top with Dex-o-Tex Flange (2 thru 5 [51 thru 127] only)
 ____ -G Galvanized Cast Iron
 ____ -HD Heavy-Duty Veneer Top (Add 1/8 [3] to 7/8 [22] Dim. for (ZB and ZN only)
 ____ -TC Neo-Loc Test Cap Gasket (2 thru 4 [51 thru 102] NL Bottom Outlet Only)
 ____ -T Square Top
 ____ -TX Square Top Recessed for 1/8 [3] Tile (ZB and ZN only)
 ____ -VP Vandal-Proof Screws
 ____ -X Round Top Recessed for 1/8 [3] Tile (ZB and ZN only)

*REGULARLY FURNISHED UNLESS OTHERWISE SPECIFIED

REV. G DATE: 11/03/10 C.N. NO. 120227

DWG. NO. 58758

PRODUCT NO. Z1402