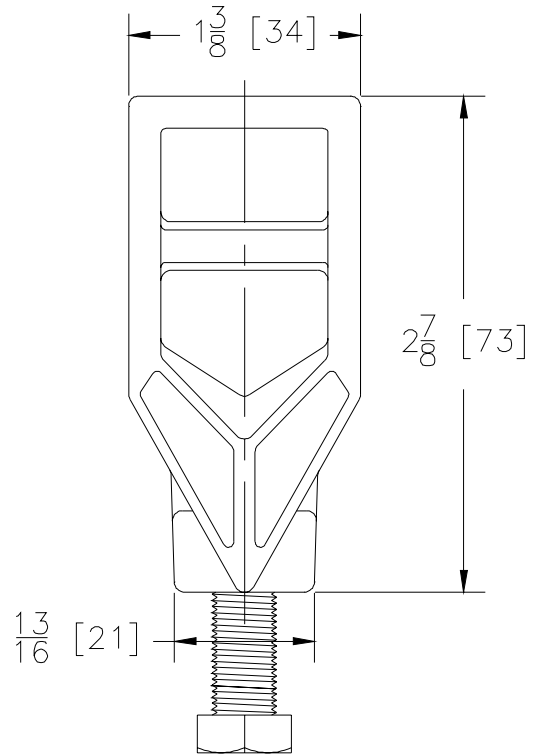


Dimensional Data (inches and [mm]) are Subject to Manufacturing Tolerances and Change Without Notice



RD2191 Membrane Clamp Lockdown Lugs

Dura-coated cast iron clamp, complete with 3/8-16 x 1-1/4 [32] securing bolt.

Distributed by: **BEST MATERIALS LLC, Phoenix AZ**
602-272-8128 800-474-7570 www.bestmaterials.com