



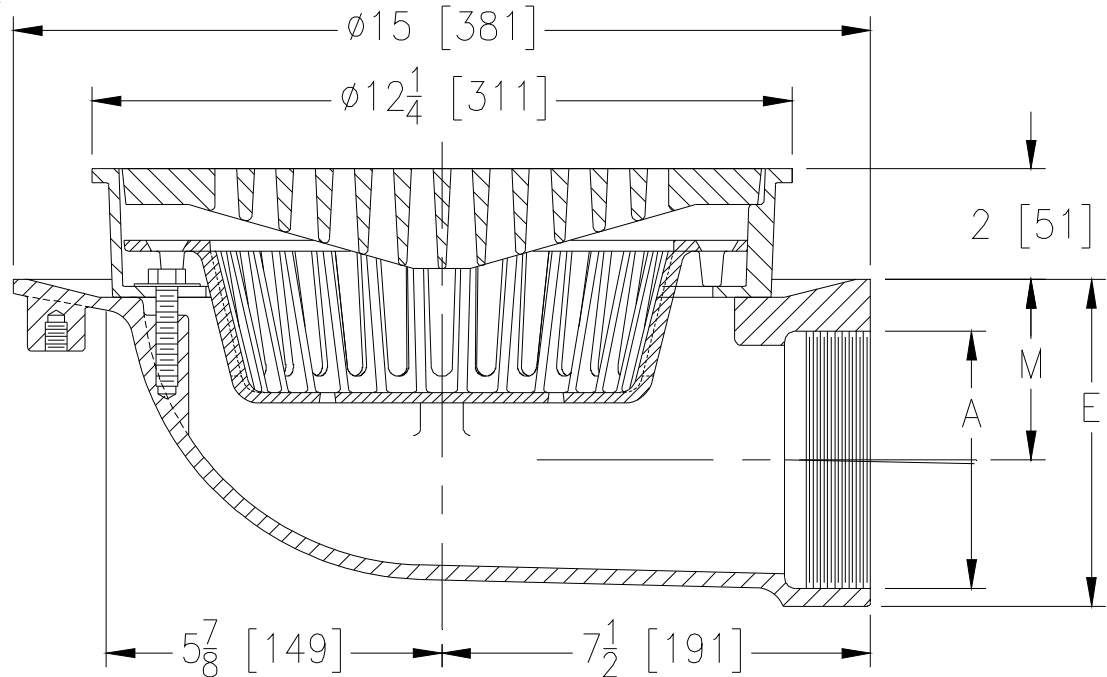
Z541-90

SPECIFICATION SHEET

12 [305] HEAVY-DUTY DRAIN WITH SUR-SET BUCKET

TAG _____

Dimensional Data (inches and [mm]) are Subject to Manufacturing Tolerances and Change Without Notice



Dimensions in Inches		Approx. Wt. Lbs. [kg]	Grate Open Area Sq. In. [cm ²]
A Pipe Size	M		
2 [51]	4 1/4 [108]	60 [27]	30 [194]
3 [76]	3 11/16 [94]	59 [27]	
4 [102]	3 3/16 [81]	57 [26]	
5 [127]	4 13/116 [122]	70 [32]	
6 [152]	4 1/4 [108]	60 [27]	

ENGINEERING SPECIFICATION: ZURN Z541-90

12 [305] Diameter top heavy-duty drain, Dura-Coated cast iron body with side outlet, seepage pan and combination membrane flashing clamp and frame for heavy-duty cast iron loose slotted grate with suspended polypropylene sediment bucket.

OPTIONS (Check/specify appropriate options)

PIPE SIZE

2 thru 4 [51 thru 102]
5 - 6 [127 - 152]

(Specify size) **OUTLET**

___ IP Threaded
___ IP Threaded

'E' BODY HT. DIM.

5 3/4 [146]
7 7/8 [200]

PREFIXES

- ___ Z D.C.C.I. Body and Top*
- ___ ZB D.C.C.I. Body w/ Polished Bronze Top (Add 3/16 [5] to 2 [51] Dim. and 3/4 [19] to 12 1/4 [311] Dim.)
- ___ ZN D.C.C.I. Body w/ Polished Nickel Bronze Top (Add 3/16 [5] to 2 [51] Dim. and 3/4 [19] to 12 1/4 [311] Dim.)

SUFFIXES

- ___ -AA All Acid Resisting Epoxy Coated Cast Iron
- ___ -D Dome Grate (D.C.C.I. Only)
- ___ -DG Duresist Grate
- ___ -DX Dex-o-tex Flange
- ___ -G Galvanized Cast Iron
- ___ -H Hinged Grate
- ___ -HP Heel-Proof Grate
- ___ -LY (Less) Sediment Bucket
- ___ -P Trap Primer Connection (Specify 1/2 [13] or 3/4 [19])
- ___ -PH Packing House Grate
- ___ -S Secondary Strainer
- ___ -SS Stainless Steel Mesh Liner for Bucket
- ___ -TC Neo-Loc Test Cap Gasket (2 - 4 [51 - 102] NL Bottom Outlet Only)
- ___ -TG Tractor Grate
- ___ -TS Top Secured with Slotted Screws
- ___ -VP Vandal-Proof Secured Top
- ___ -YC Cast Iron Sediment Bucket
- ___ -WS Wide Slotted Grate (50 sq. in. open [323 cm²])

REV. B	DATE: 9/8/09	C.N. NO. 110174
DWG. NO. 56799	PRODUCT NO. Z541-90	

*REGULARLY FURNISHED UNLESS OTHERWISE SPECIFIED