



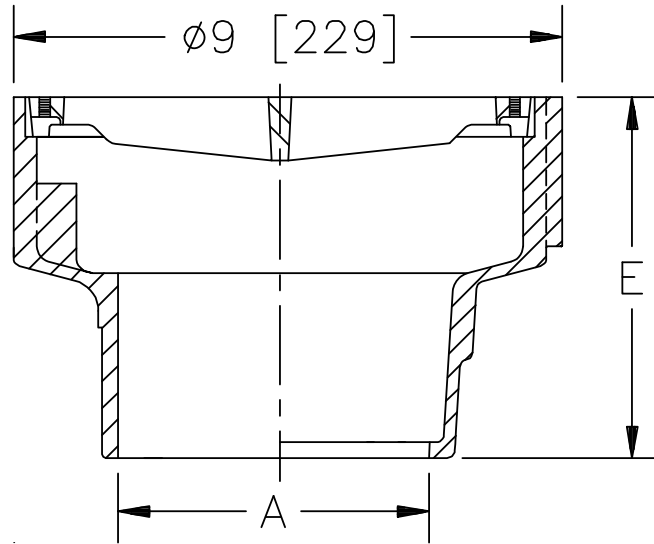
**Z551**

9 [229] DIAMETER MEDIUM-DUTY DRAIN

SPECIFICATION SHEET

TAG \_\_\_\_\_

Dimensional Data (inches and [ mm ]) are Subject to Manufacturing Tolerances and Change Without Notice



A - Pipe Size Inches [mm]	Approx. Wt. Lbs. [kg]	Grate Open Area Sq. In. [cm <sup>2</sup> ]
2, 3, 4 [51, 76, 102]	19 [9]	18 [116]

**ENGINEERING SPECIFICATION: ZURN Z551**  
9" [229mm] Diameter top drain, Dura-Coated cast iron body with bottom outlet, and medium-duty slotted grate.

**OPTIONS** (Check/specify appropriate options)

**PIPE SIZE**

- 4 [102]
- 2, 3, 4 [51, 76, 102]
- 2, 3, 4 [51, 76, 102]

**OUTLET**(Specify size/type)

- \_\_\_ IP Threaded
- \_\_\_ NH No-Hub
- \_\_\_ NL Neo-Loc

**'E' BODY HT. DIM.**

- 4 [102]
- 5-3/4 [146]
- 5-1/8 [130]

**PREFIXES**

- \_\_\_ Z D.C.C.I. Body and Top\*
- \_\_\_ ZN D.C.C.I. Body with Polished Nickel Bronze Top (Add 3/16 [5] to 'E' Dim. & 3/4 [20] to 9 [229] Dim.)

**SUFFIXES**

- \_\_\_ -D Dome Grate
- \_\_\_ -DG Duresist Grate
- \_\_\_ -G Galvanized Cast Iron
- \_\_\_ -P Trap Primer Connection
- \_\_\_ -SS Stainless Mesh Liner for Bucket
- \_\_\_ -TC Neo-Loc Test Cap Gasket  
(2, 3, 4 [51, 76, 102] NL Bottom Outlet Only)
- \_\_\_ -TG Tractor Grate
- \_\_\_ -TS Top Secured with Slotted Screws
- \_\_\_ -VP Vandal-Proof Secured Top
- \_\_\_ -Y Sediment Bucket

\* Regularly furnished unless otherwise specified.