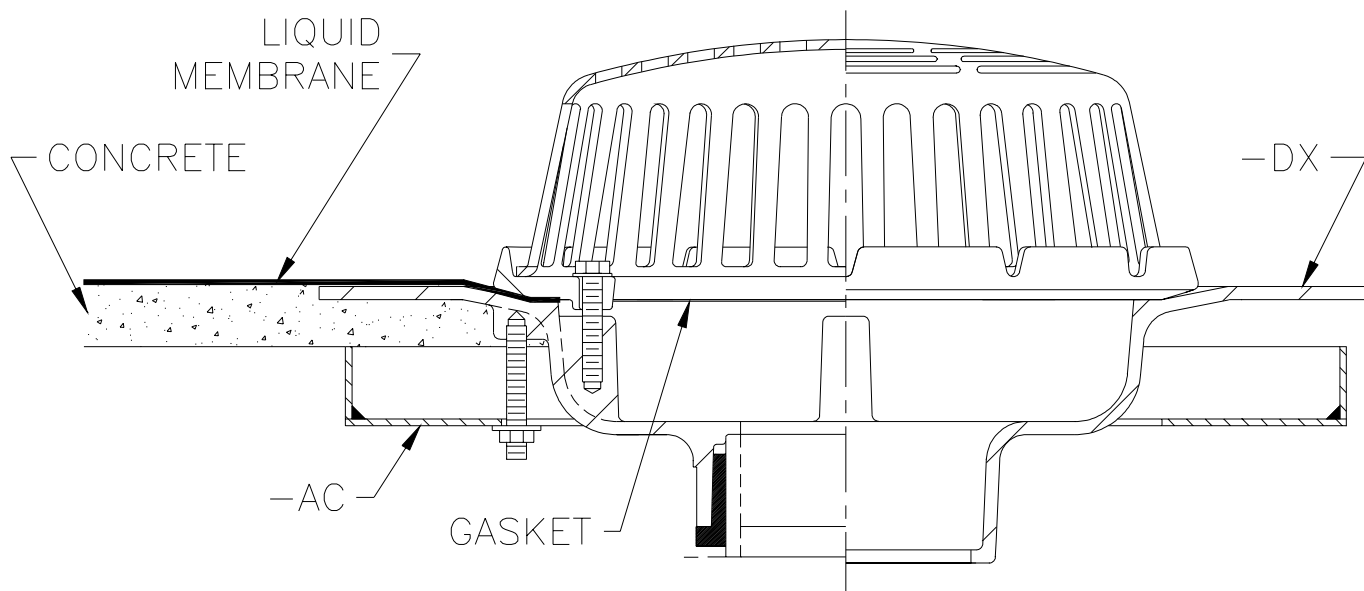




TYPICAL INSTALLATION FOR  
**Z-100-AC-DX**  
CONCRETE DECK WITH LIQUID MEMBRANE

Dimensional Data (inches and [ mm ]) are Subject to Manufacturing Tolerances and Change Without Notice



**Z-100-AC-DX**  
**CONCRETE DECK WITH LIQUID MEMBRANE**

Drain installed in a concrete deck with a mopped Dex-o-tex finish. Drain is illustrated with angular underdeck clamp (-AC), and 20 [508] diameter Dex-o-tex flange (-DX). The (-AC) option is a Zurn alternate to the standard underdeck clamp which allows clearance around the drain body.

<b>Form #</b> RD10	<b>Date:</b> 8/4/99	<b>C.N. No.</b> 83023	<b>Rev.</b>
--------------------	---------------------	-----------------------	-------------