



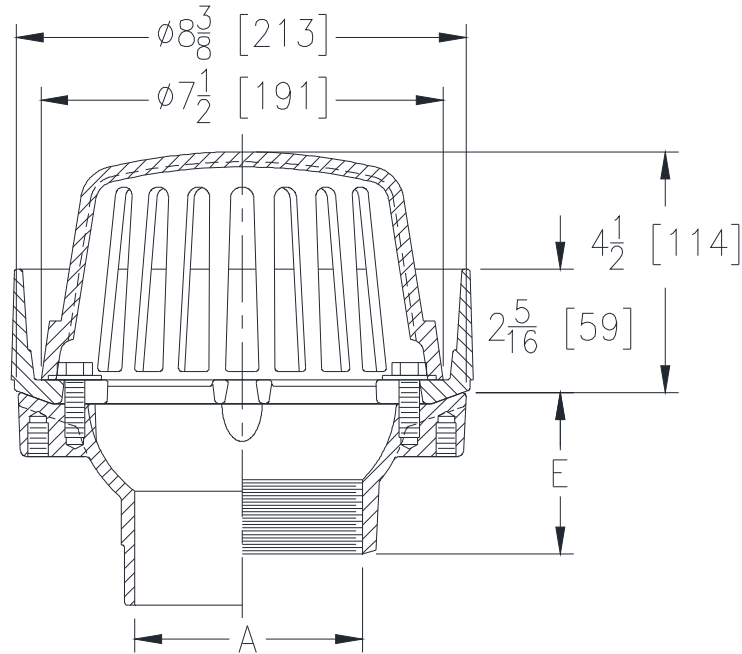
Z125-89

8-3/8 [213] DIAMETER ROOF DRAIN W/
2 [51] HIGH EXTERNAL WATER DAM

SPECIFICATION SHEET

TAG _____

Dimensional Data (inches and [mm]) are Subject to Manufacturing Tolerances and Change Without Notice



A- Pipe Size In. [mm]	Approx. Wt. Lbs. [kg]	Dome Open Area Sq. In. [cm ²]
2,3,4 [51,76,102]	14 [6]	43 [277]

ENGINEERING SPECIFICATION: ZURN Z125-89
8-3/8" [213mm] Diameter roof drain, Dura-Coated cast iron body with combination membrane flashing clamp/gravel guard, 2" [51mm] high external water dam and low silhouette Poly-Dome.

OPTIONS (Check/specify appropriate options)

PIPE SIZE	(Specify size/type)	OUTLET	'E' BODY HT. DIM.
2,3,4 [51,76,102]	_____	IC Inside Caulk	3-7/8 [98]
2 [51]	_____	IP Threaded	2-7/16 [62]
3 [76]	_____	IP Threaded	2-3/4 [70]
4 [102]	_____	IP Threaded	3 [76]
2,3,4 [51,76,102]	_____	NH No-Hub	4 [102]
2,3,4 [51,76,102]	_____	NL Neo-Loc	3-13/16 [97]

PREFIXES

- ___ Z D.C.C.I. Body with Poly-Dome (4-1/4 [108] Dome Height)*
- ___ ZA D.C.C.I. Body with Aluminum Dome (4-1/4 [108] Dome Height)
- ___ ZC D.C.C.I. Body with Low Silhouette Cast Iron Dome (4-1/4 [108] Dome Height)

SUFFIXES

- | | |
|---|--|
| ___ -AR Acid Resistant Epoxy Coated Finish | ___ -SC Secondary Clamping Collar |
| ___ -C Underdeck Clamp | ___ -SS Stainless Mesh Screen Over Dome |
| ___ -DP Top-Set® Roof Deck Plate
(Replaces both the -C and -R) | ___ -TC Neo-Loc Test Cap Gasket
(2,3,4 [51,76,102] NL Bottom Outlet Only) |
| ___ -E 2 [51] High Static Extension (Specify Height) | ___ -VP Vandal-Proof Secured Top |
| ___ -EB Top-Set® Adjustable Extension Assembly | ___ -XJ Vertical Expansion Joint (See Z190) |
| ___ -FG Flush Grate | ___ -84 Stainless Steel Perforated Gravel Guard |
| ___ -G Galvanized Cast Iron | ___ -90 90° Threaded Side Outlet Body
(2,3,4 [51,76,102]) |
| ___ -R Roof Sump Receiver | |

* Regularly furnished unless otherwise specified.