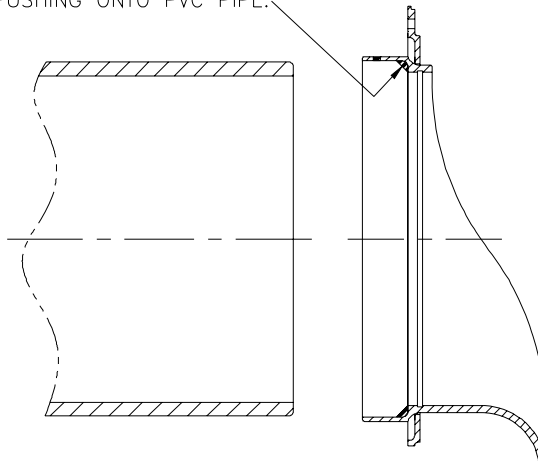


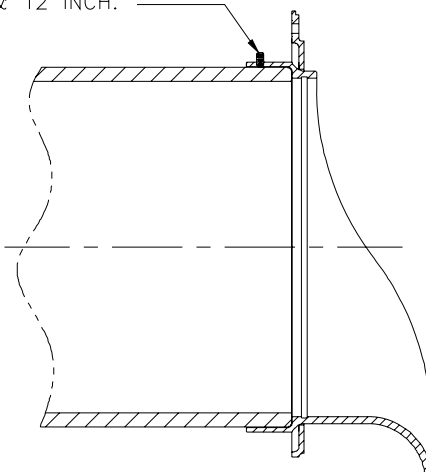


## Z199-PVC INSTALLATION INSTRUCTIONS

APPLY CAULK/SEALANT AROUND  
INSIDE DIAMETER OF Z199 BEFORE  
PUSHING ONTO PVC PIPE.



PUSH Z199 ONTO PVC PIPE, THEN INSERT AND  
TIGHTEN (3) SET SCREWS 120° APART FOR PIPE  
SIZES 2, 3, 4 & 5 INCH. (4) SET SCREWS, 90°  
APART FOR PIPE SIZES 6, 8, 10 & 12 INCH.



### **Z199-PVC DOWNSPOUT NOZZLE**

APPLY BEAD OF CAULK/SILICON SEALANT AROUND THE INSIDE DIAMETER OF THE Z199-PVC AND PUSH  
EVENLY ONTO THE PIPE FOR SECURE CONNECTION, AS ILLUSTRATED ABOVE.