

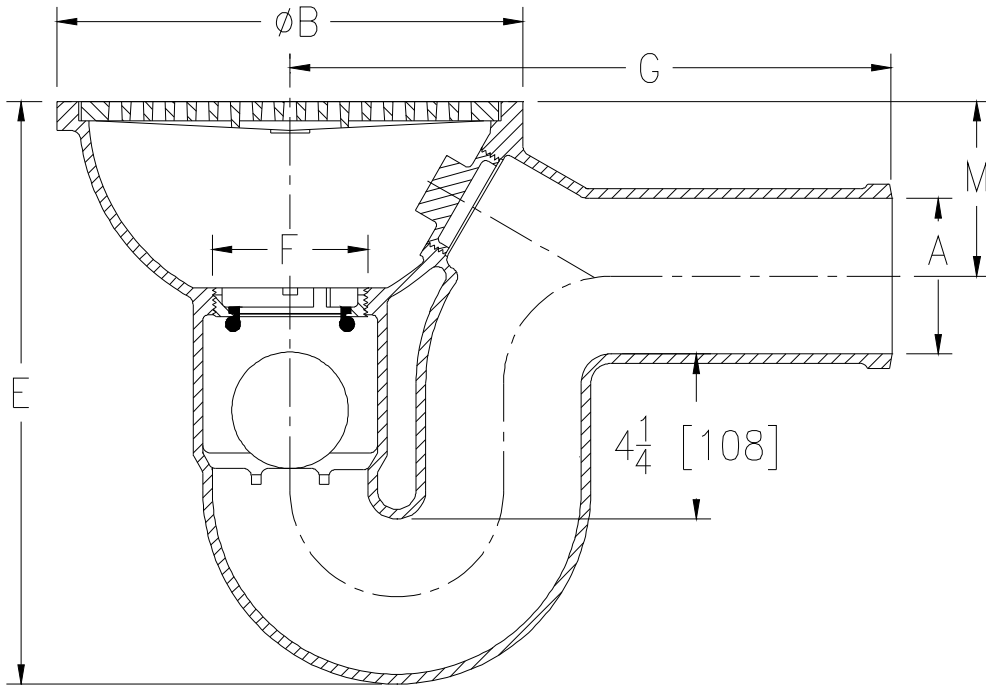


# Z742 TRAP DRAIN, LIGHT-DUTY

SPECIFICATION SHEET

TAG \_\_\_\_\_

Dimensional Data (inches and [ mm ]) are Subject to Manufacturing Tolerances and Change Without Notice



		Dimensions In Inches			Approx. Wt. Lbs. [kg]	Grate Open Area Sq. In. [cm <sup>2</sup> ]
		B	G	M		
2 [51]	2 [51]	8-1/4 [210]	10-1/8 [257]	3-1/2 [89]	25 [11]	13 [84]
3 [76]	3-1/2 [89]	10-1/2 [267]	12-1/2 [318]	4 [102]	35 [16]	14 [90]
4 [102]	3-1/2 [89]	12 [305]	15-1/2 [394]	4-1/2 [114]	55 [25]	19 [123]

**ENGINEERING SPECIFICATION ZURN Z742 8, 10 or 12 [203, 254 or 305] Diameter top drain, Dura-Coated cast iron body with integral double wall trap and side outlet, with ball float type backwater valve, internal bronze cleanout and light-duty loose slotted grate.**

**OPTIONS** (Check/specify appropriate options)

**PIPE SIZE**

- 2 [51]
- 3 [76]
- 4 [102]

(Specify size/type) **OUTLET**

- \_\_\_\_\_ SP Spigot
- \_\_\_\_\_ SP Spigot
- \_\_\_\_\_ SP Spigot

**'E' BODY HT. DIM.**

- 10-3/4 [273]
- 12-3/4 [324]
- 15 [381]

**PREFIXES**

- \_\_\_\_\_ Z D.C.C.I. Body and Top\*
- \_\_\_\_\_ ZB D.C.C.I. Body with Polished Bronze Top (Add 3/16 [5] to 'E' Dim.)
- \_\_\_\_\_ ZN D.C.C.I. Body with Polished Nickel Bronze Top (Add 3/16 [5] to 'E' Dim.)

**SUFFIXES**

- \_\_\_\_\_ -DG Duresist Grate
- \_\_\_\_\_ -G Galvanized Cast Iron
- \_\_\_\_\_ -LV (Less) Backwater Valve
- \_\_\_\_\_ -TS Top Secured with Slotted Screws
- \_\_\_\_\_ -VP Vandal-Proof Secured Top

REV. E	DATE: 11/8/10	C.N. NO. 120286
DWG. NO. 58960	PRODUCT NO. Z742	

\*REGULARLY FURNISHED UNLESS OTHERWISE SPECIFIED