

DISTRIBUTED BY

# Best MATERIALS.com



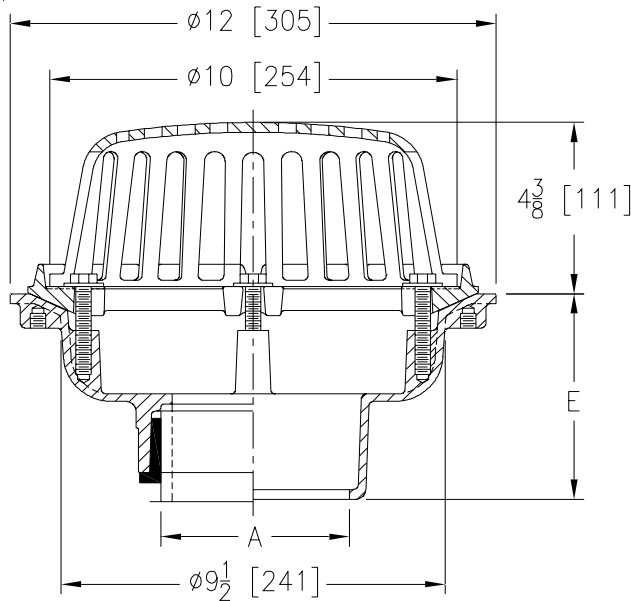
## Z121

### 12 [305] DIAMETER ROOF DRAIN LOW SILHOUETTE DOME

SPECIFICATION SHEET

TAG \_\_\_\_\_

Dimensional Data (inches and [ mm ]) are Subject to Manufacturing Tolerances and Change Without Notice



A Pipe Size In.	Approx. Wt. Lbs. [kg]	Dome Open Area Sq. In. [cm <sup>2</sup> ]
2 thru 6 [51 thru 152]	22 [10]	78 [503]

**ENGINEERING SPECIFICATION: ZURN Z121**

12 [305] Diameter roof drain. Dura-Coated cast iron body with combination membrane flashing clamp/gravel guard and low silhouette cast iron dome.

**OPTIONS** (Check/specify appropriate options)

**PIPE SIZE**

- 2 thru 6 [51 thru 152]
- 2 thru 6 [51 thru 152]
- 2 thru 6 [51 thru 152]
- 2-3-4 [51-76-102]

(Specify size/type) **OUTLET**

- \_\_\_\_\_ IC Inside Caulk
- \_\_\_\_\_ IP Threaded
- \_\_\_\_\_ NH No-Hub
- \_\_\_\_\_ NL Neo-Loc

**E BODY HT. DIM.**

- 5 1/4 [133]
- 3 3/4 [95]
- 5 1/4 [133]
- 4 5/8 [117]

**PREFIXES**

- \_\_\_\_\_ Z D.C.C.I. Body with Dome\*
- \_\_\_\_\_ ZA D.C.C.I. Body with Aluminum Dome
- \_\_\_\_\_ ZRB D.C.C.I. Body with Plain Bronze Dome

**SUFFIXES**

- \_\_\_\_\_ -AR Acid Resistant Epoxy Coated Finish
- \_\_\_\_\_ -BS Bronze Mesh Screen Over Dome
- \_\_\_\_\_ -C Underdeck Clamp
- \_\_\_\_\_ -DP Top-Set® Roof Deck Plate  
(Replaces both the -C and -R)
- \_\_\_\_\_ -DR Top-Set® Drain Riser  
(Adjustment from 3 5/8 [92] to 7 1/4 [184])
- \_\_\_\_\_ -E 2 [51] High Static Extension (Specify Height)
- \_\_\_\_\_ -EB Top-Set® Adjustable Extension Assembly
- \_\_\_\_\_ -FG Flush Grate
- \_\_\_\_\_ -G Galvanized Cast Iron
- \_\_\_\_\_ -R Roof Sump Receiver
- \_\_\_\_\_ -SC Secondary Clamping Collar
- \_\_\_\_\_ -SS Stainless Steel Mesh Screen Over Dome
- \_\_\_\_\_ -TC Neo-Loc Test Cap Gasket  
(2 - 4 [51 - 102] NL Bottom Outlet Only)
- \_\_\_\_\_ -VP Vandal-Proof Secured Top
- \_\_\_\_\_ -XJ Vertical Expansion Joint (See Z190)
- \_\_\_\_\_ -84 Stainless Steel Perforated Gravel Guard
- \_\_\_\_\_ -85 Stainless Steel Perforated Extension
- \_\_\_\_\_ -89 2 [51] High External Water Dam
- \_\_\_\_\_ -90 90° Threaded Side Outlet Body  
(2 - 4 [51 - 102]) (Previously Z124)

REV. J      DATE: 12/5/07      C.N. NO. 97795

DWG. NO. 58819      PRODUCT NO. Z121

\*REGULARLY FURNISHED UNLESS OTHERWISE SPECIFIED

ZURN INDUSTRIES, LLC ♦ SPECIFICATION DRAINAGE OPERATION