

DISTRIBUTED BY

Best MATERIALS.com[®]

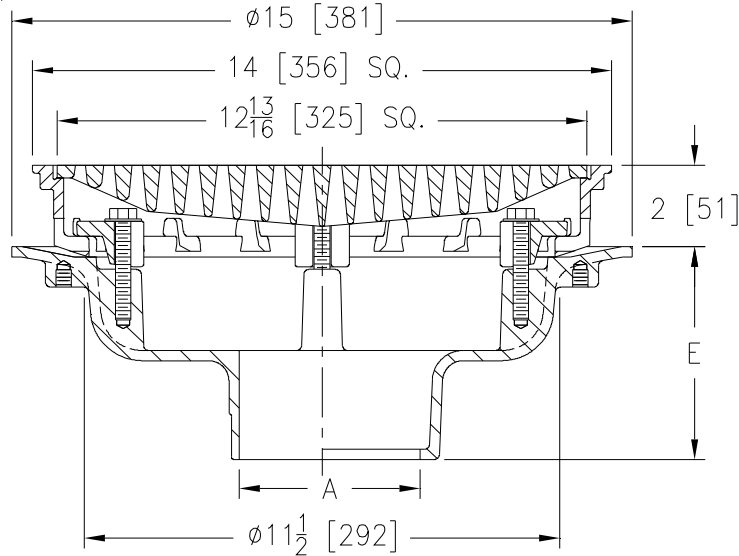


Z150 14 [356] SQUARE TOP PROM-DECK DRAIN W/ HEEL-PROOF GRATE & ROTATABLE FRAME

SPECIFICATION SHEET

TAG _____

Dimensional Data (inches and [mm]) are Subject to Manufacturing Tolerances and Changes Without Notice



A- Pipe Size In.	Approx. Wt. Lbs. [kg]	Grate Open Area Sq. In. [cm ²]
2-3-4 [51-76-102]	53 [24]	44 [284]
5-6 [127-152]		
8 [203]	54 [24]	

ENGINEERING SPECIFICATION: ZURN Z150

14 [356] Square Top Prom-Deck drain. Dura-Coated cast iron body with rotatable square promenade frame with seepage openings, frame clamps and heavy-duty heel-proof grate.

OPTIONS (Check/specify appropriate options)

PIPE SIZE

2 thru 6-8 [51 thru 152-203]
2 thru 6-8 [51 thru 152-203]
2 thru 6,8 [51 thru 152-203]
2-3-4 [51-76-102]

(Specify size/type) OUTLET

___ IC Inside Caulk
___ IP Threaded
___ NH No-Hub
___ NL Neo-Loc

E BODY HT. DIM.

5-1/4 [133]
3-3/4 [95]
5-1/4 [133]
4-9/16 [116]

PREFIXES

___ Z D.C.C.I. Body with Top*
___ ZB D.C.C.I. Body with Polished Bronze Top (Add 3/16 [5] to 2 [51] Dim & 3/8 [10] to 14 [356] Dim.)
___ ZN D.C.C.I. Body with Polished Nickel Bronze Top (Add 3/16 [5] to 2 [51] Dim. & 3/8 [10] to 14 [356] Dim.)

SUFFIXES

___ -AR Acid Resistant Epoxy Coated	___ -HF High Flow Ductile Iron Grate (Open Area = 61 in ² [394 cm ²])
___ -C Underdeck Clamp	___ -R Roof Sump Receiver
___ -DB Deep Sump Body	___ -S Secondary Strainer
___ -DE Deck Extension	___ -SC Secondary Clamp Collar
___ -DG Duresist Grate	___ -TC Neo-Loc Test Cap Gasket (2 [51] - 4 [102] NL Bottom Outlet Only)
___ -DP Top-Set [®] Roof Deck Plate (Replaces both the -C and -R)	___ -TS Top Secured with Slotted Screws
___ -DR Top-Set [®] Drain Riser (Adjustment from 3-5/8 [92] to 7-1/4 [184])	___ -VP Vandal-Proof Secured Top
___ -DT Decorative Polished Top (ZB and ZN Only)	___ -XJ Vertical Expansion Joint (See Z190)
___ -DX Dex-o-tex Flange (ZB and ZN Only)	___ -Y Sediment Bucket
___ -E Static Extension 1 [25] thru 4 [102] (Specify Ht.)	___ -85 Stainless Steel Perforated Extension
___ -EA Adjustable Extension Assembly 2-1/8 [54] thru 3-1/2 [89]	___ -90 90° Threaded Side Outlet Body (2 [51] thru 6 [152])
___ -EB Top-Set [®] Adjustable Extension Assembly	
___ -G Galvanized Cast Iron	

REV. F DATE: 10/20/10 C.N.NO. 111892

DWG. NO. 67679 PRODUCT NO. Z150

*REGULARLY FURNISHED UNLESS OTHERWISE SPECIFIED

ZURN INDUSTRIES, LLC ♦ SPECIFICATION DRAINAGE OPERATION