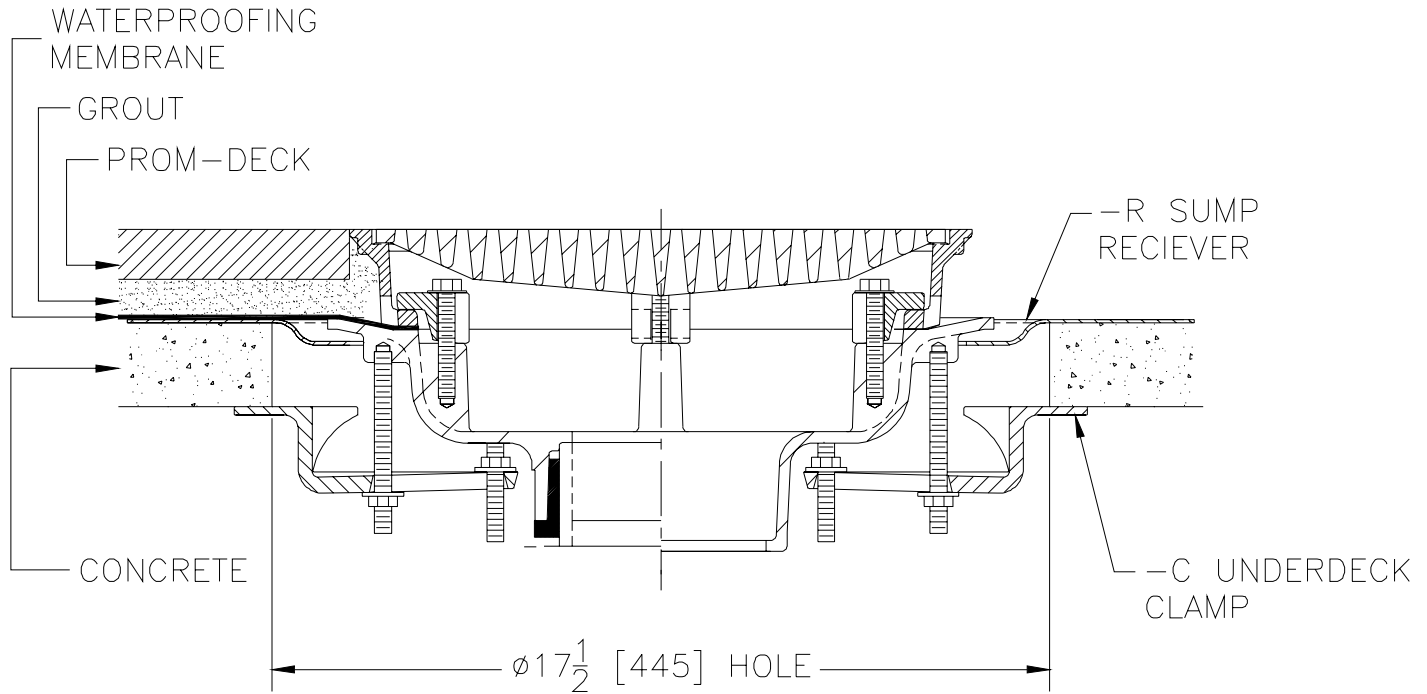




TYPICAL INSTALLATION FOR
Z150-C-R
PROM DECK DRAIN IN A CONCRETE DECK

Dimensional Data (inches and [mm]) are Subject to Manufacturing Tolerances and Change Without Notice



**Z150-C-R
PROM DECK DRAIN INSTALLED IN A CONCRETE DECK**

Prom deck drain installed in a concrete deck. 14 [356] square drain is illustrated with underdeck clamp (-C), sump receiver (-R) and heavy-duty heelproof grate. 17 1/2 [445] dia. clearance hole required for installation. Other Prom Deck drains include the 11 [279] Z154 and 8 [203] Z158. Both of these drains are furnished with a light-duty heel proof grate.

Form # RD18

Date: 11/15/04

C.N. No. 92725

Rev. A

ZURN INDUSTRIES, INC. ♦ SPECIFICATION DRAINAGE OPERATION ♦ 1801 Pittsburgh Ave. ♦ Erie, PA 16514

Phone: 814/455-0921 ♦ Fax: 814/454-7929 ♦ World Wide Web: www.zurn.com

In Canada: ZURN INDUSTRIES LIMITED ♦ 3544 Nashua Drive ♦ Mississauga, Ontario L4V1L2 ♦ Phone: 905/405-8272 Fax: 905/405-1292