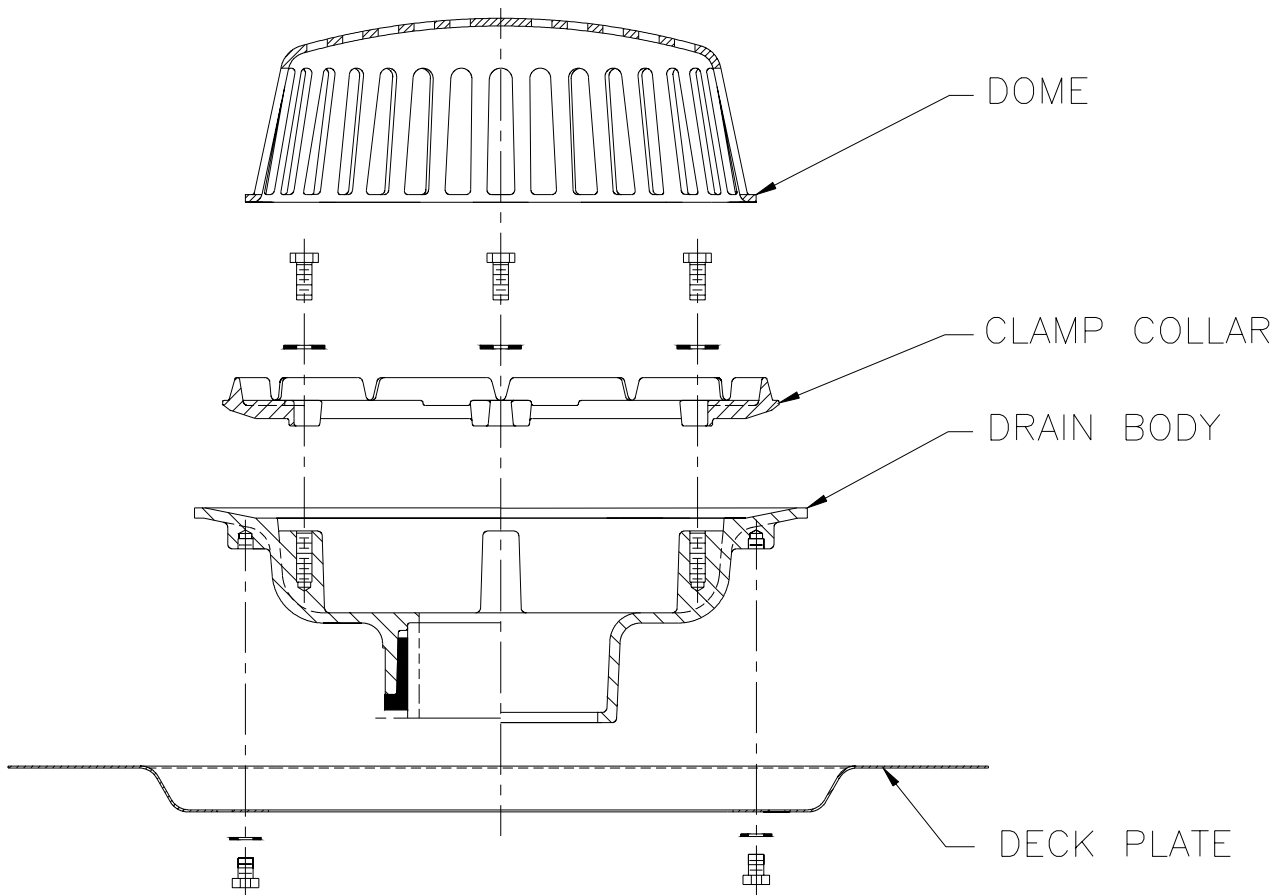




# TOP-SET<sup>®</sup> DECK PLATE INSTALLATION INSTRUCTIONS

1. Create a square opening in roof (Q-deck) to receive drain assembly.  
Opening sizes are:   Z100 18" x 18"  
                              Z101 24" x 24"  
                              Z121 15" x 15"  
                              Z125 11" x 11"
2. Fasten drain body to deck plate by aligning the bosses on body and slots on plate using bolts provided.
3. Put body/plate assembly onto the precut opening in the roof, aligning deck plate attachment slots in the appropriate position.
4. Fasten the assembly to the roof with self-tapping screws. (provided by others)
5. Install insulation (if required) and secure waterproofing membrane to roof drain body with the clamp collar.
6. Attach dome to clamp collar to complete assembly.



Form # RD36

Date: 9/30/04

C.N. No. 92613

Rev. B

ZURN INDUSTRIES, INC. ♦ SPECIFICATION DRAINAGE OPERATION ♦ 1801 Pittsburgh Ave. ♦ Erie, PA 16514

Phone: 814/455-0921 ♦ Fax: 814/454-7929 ♦ World Wide Web: [www.zurn.com](http://www.zurn.com)

In Canada: ZURN INDUSTRIES LIMITED ♦ 3544 Nashua Drive ♦ Mississauga, Ontario L4V1L2 ♦ Phone: 905/405-8272 Fax: 905/405-1292